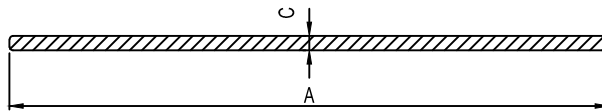
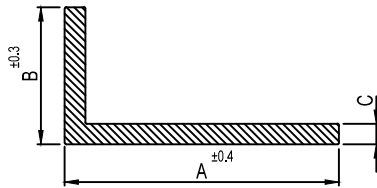


FLAT BAR



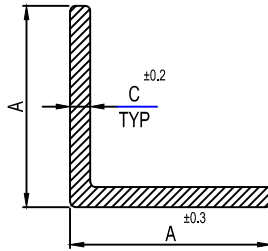
A	C	WT. / M
25	3	0.202
30	8	0.648
40	15	1.62
50	3	0.405
50	8	1.08
60	3	0.486
63	2	0.340
126	3	0.680

UNEQUAL ANGLE



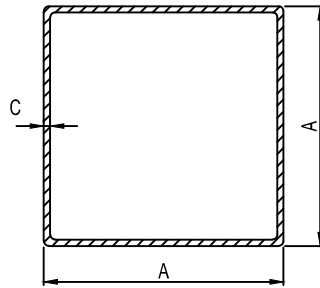
A	B	C	WT. / M
9.5	25	1.7	0.15
15	25	2	0.20
16	25	2.5	0.25
20	40	3	0.46
25	38	3	0.48
25	50	2	0.39
25	58	2	0.43
50	75	3	0.98
50	75	6	1.92
80	50	5	1.68

EQUAL ANGLE



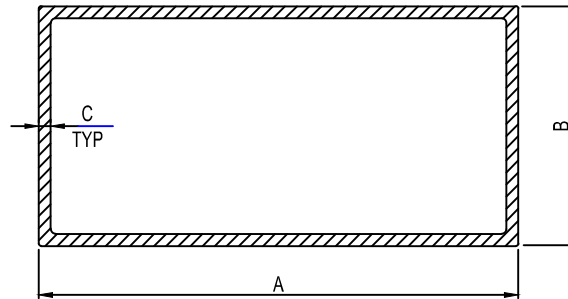
A	C	WT. / M
15	1.5	0.11
19	2	0.19
19.5	2	0.19
25	2	0.25
25	3	0.38
38	1.4	0.28
38	2	0.39
38	3	0.59
38	4	0.77
50	2.2	0.58
50	3	0.78
50	4	1.03
60	4	1.25
65	3	1.02

SQUARE TUBE



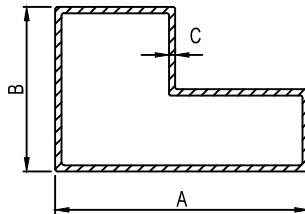
A	C	WT. / M
19	1	0.19
25	2	0.50
38	1.7	0.66
38	2	0.77
38	2.5	0.95
38	3	1.13
40	2.4	0.97
50	2	1.03
50	2.5	1.28
50	3	1.52

RECTANGULAR TUBE



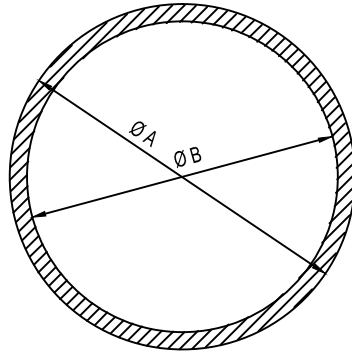
A	B	C	WT. / M
37	24	0.8	0.13
37	24	0.9	0.15
37	24	1	0.25
38	25	2.4	0.40
40	15	1.5	0.22
48	24	1	0.19
48	24	1.5	0.29
48	24	2	0.38
50	25	2	0.40
50	25	3	0.57
50	38	1.5	0.20
63	25	2	0.46
63	38	0.9	0.24
63	38	1	0.27
63	38	1.5	0.40
63	40	2	0.55
74	24	2	0.52
75	14	1.6	0.38
75	25	1.25	0.33
75	38	3	0.90
75	50	1.2	0.40
83	38	1.6	0.52
96	24	0.9	0.29
96	24	1.1	0.35
96	24	2.1	0.68
100	38	1.5	0.55
100	44	2	0.77
100	50	1.4	0.56
100	50	2	0.80
100	50	2.5	1.00
120	53	3	1.38
125	25	1.5	0.60
150	25	1.6	0.75

L TUBE



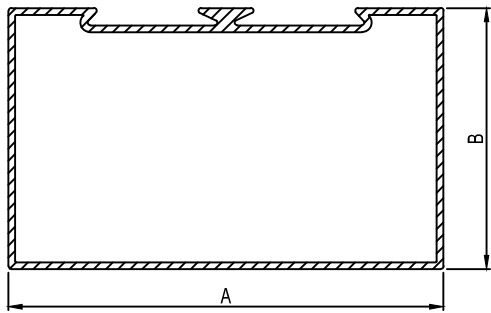
A	B	WT. / M
36	24	0.30
36	24	0.36
48	24	0.40

ROUND PIPE

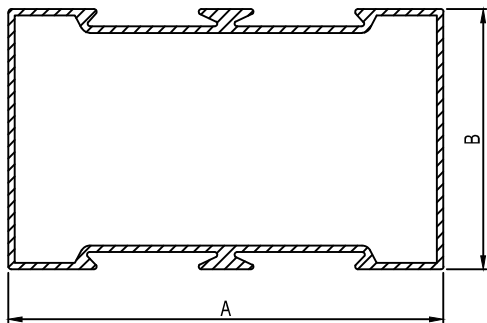


A	B	WT. / M
16	13	0.542
38	34	3.06
38	32	3.06
42	38	3.74
50	45	5.30
50	40	5.30
60	50	7.63
70	65	10.39
75	60	11.93
80	70	13.57
100	90	21.21

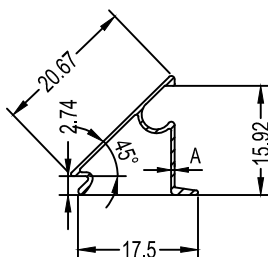
PARTITION



A	B	WT. / M
63	38	0.44-0.50
63	38	0.50-0.55
63	38	0.60-0.66
63	38	0.71-0.77
63	38	0.77-0.82
101	44	1.10-1.15



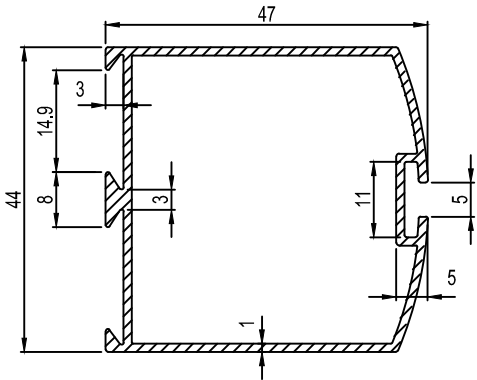
A	B	WT. / M
63	38	0.50-0.55
63	38	0.55-0.60
63	38	0.60-0.66
63	38	0.71-0.77
63	38	0.82-0.88
101	44	1.30-1.37



DIE NO.	1901	1902
DIM A	0.55	0.70
WEIGHT	0.073	0.087
AREA	27.39	32.48

44 x 47mm PARTITION

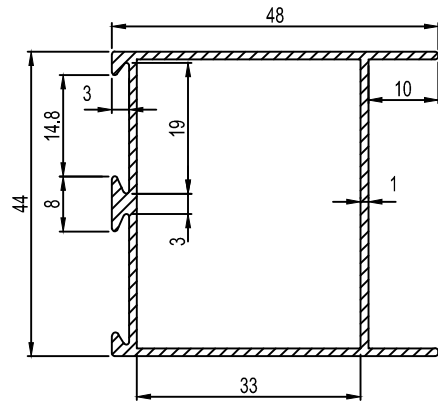
DOOR VERTICAL



WEIGHT :- 0.646
AREA :- 239.706

DIE NO :- 1741

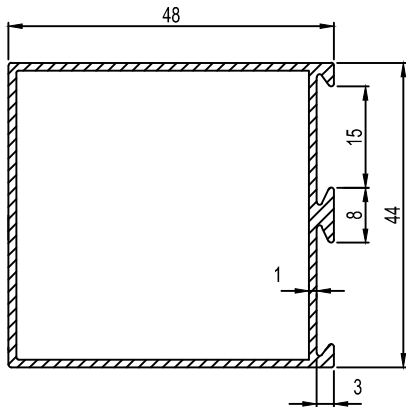
DOOR TOP



WEIGHT :- 0.613
AREA :- 227.020

DIE NO :- 1761

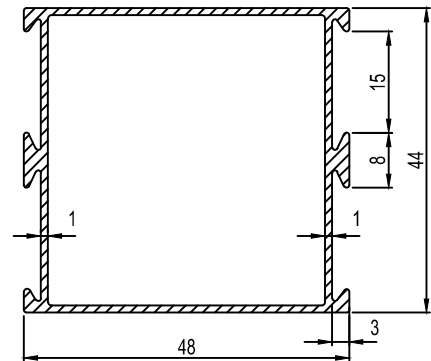
DOOR MIDDLE SINGLE



WEIGHT :- 0.611
AREA :- 226.756

DIE NO :- 1751

DOOR MIDDLE DOUBLE



WEIGHT :- 0.541
AREA :- 200.938

DIE NO :- 1755

85mm PARTITION

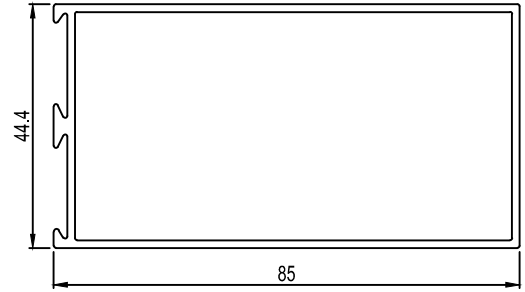
DOOR VERTICAL



WEIGHT :- 1.00
AREA :- 370.37

DIE NO :- 1773

DOOR MIDDLE SINGLE



WEIGHT :- 1.00
AREA :- 370.37

DIE NO :- 1775

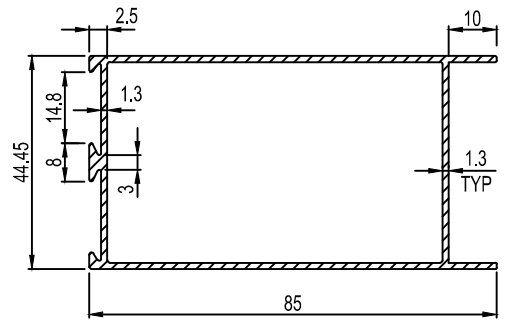
DOOR MIDDLE DOUBLE



WEIGHT :- 1.00
AREA :- 370.37

DIE NO :- 1778

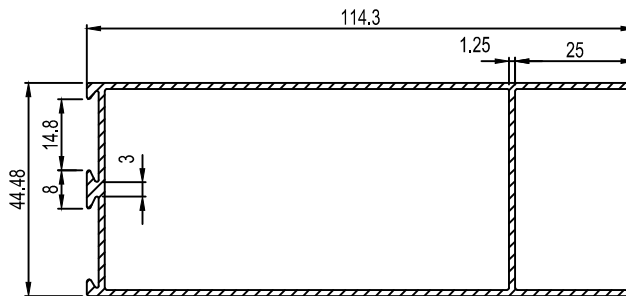
DOOR TOP



WEIGHT :- 0.480
AREA :- 349.972

DIE NO :- 1775

DOOR BOTTOM



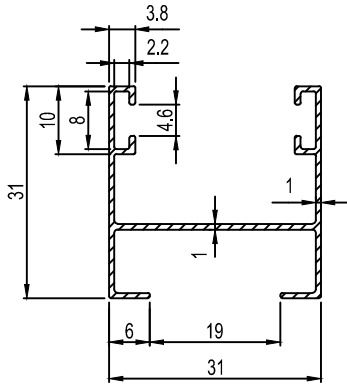
WEIGHT :- 1.110
AREA :- 411.014

DIE NO :- 1781

18mm SERIES

TRACK

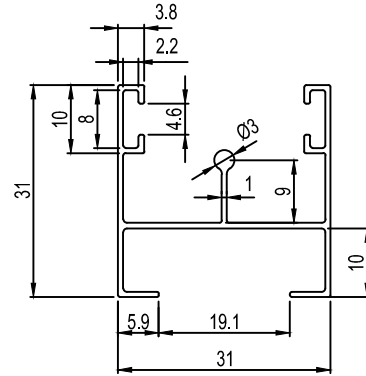
SINGLE TRACK TOP



WT. / 12 Ft.

0.90 - 1.00

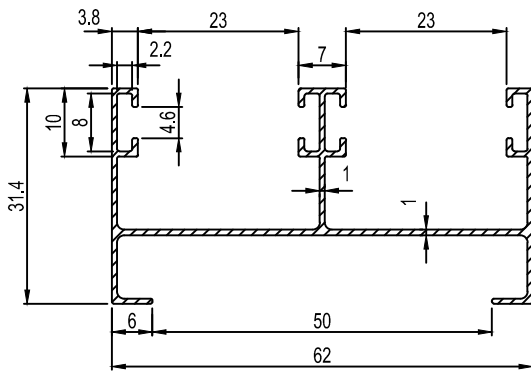
SINGLE TRACK BOTTOM



WT. / 12 Ft.

1.00 - 1.10

TWO TRACK TOP



WT. / 12 Ft.

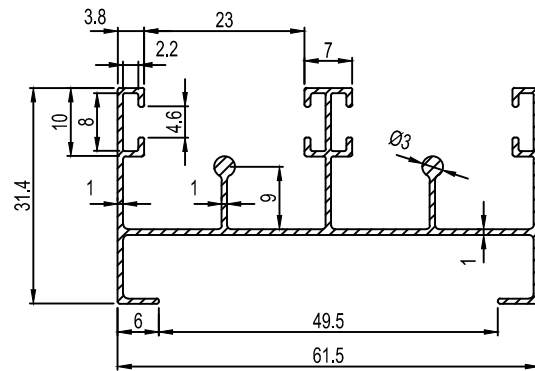
1.20 - 1.40

1.40 - 1.60

1.60 - 1.80

1.80 - 2.00

TWO TRACK BOTTOM



WT. / 12 Ft.

1.40 - 1.60

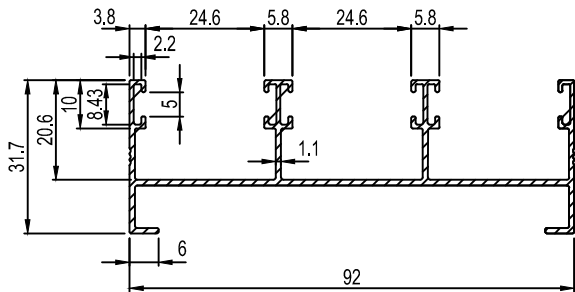
1.60 - 1.80

1.80 - 2.00

18mm SERIES

TRACK

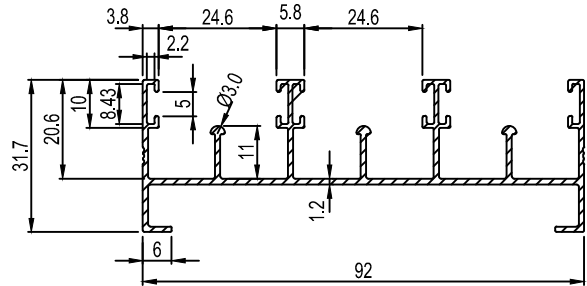
THREE TRACK TOP



WT. / 12 Ft.

- 1.80 - 2.00
- 2.00 - 2.30
- 2.30 - 2.60
- 2.60 - 2.80
- 2.80 - 3.00

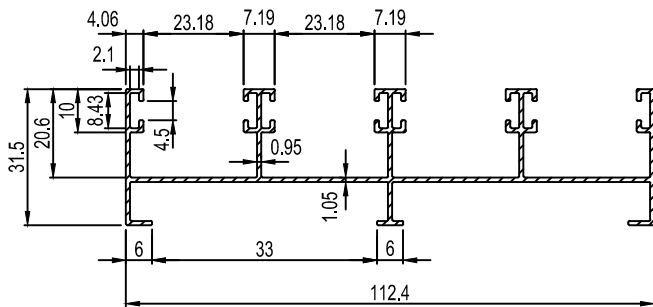
THREE TRACK BOTTOM



WT. / 12 Ft.

- 2.20 - 2.40
- 2.40 - 2.60
- 2.60 - 2.90
- 2.90 - 3.20
- 3.20 - 3.40

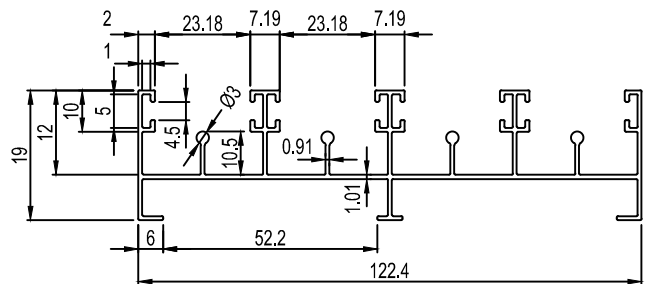
FOUR TRACK TOP



WT. / 12 Ft.

- 2.80 - 3.00
- 3.70 - 4.00

FOUR TRACK BOTTOM



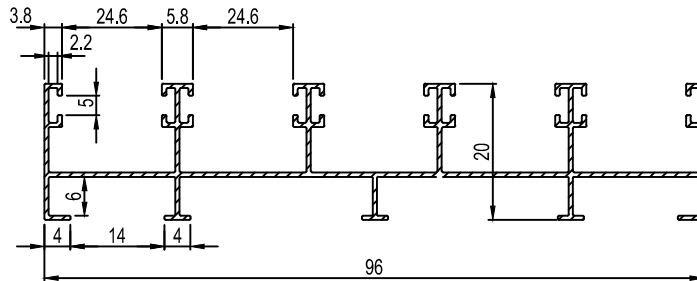
WT. / 12 Ft.

- 3.80 - 4.00
- 4.00 - 4.30

18mm SERIES

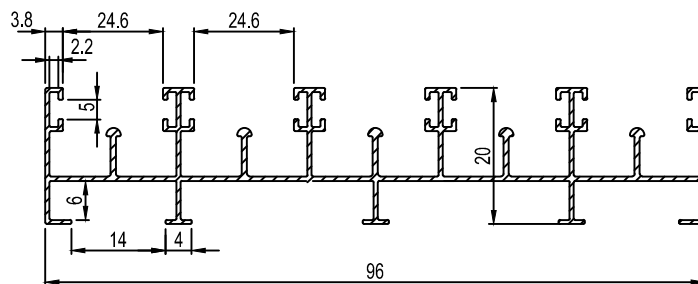
TRACK

FIVE TRACK TOP



WT. / 12 Ft.
5.00 - 5.20

FIVE TRACK BOTTOM

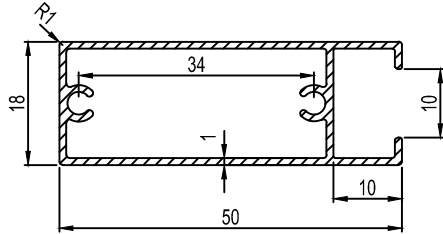


WT. / 12 Ft.
5.40 - 5.60

18mm SERIES

18 x 40mm

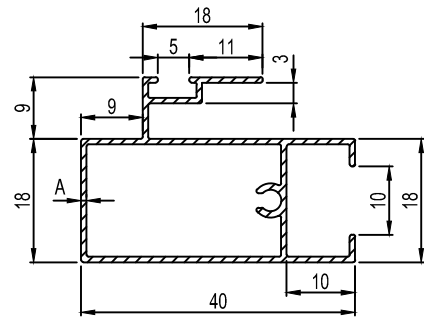
HANDLE



WT. / 12 Ft.

0.90 - 1.00
1.00 - 1.20
1.20 - 1.40
1.40 - 1.60
1.60 - 1.80
1.80 - 2.00

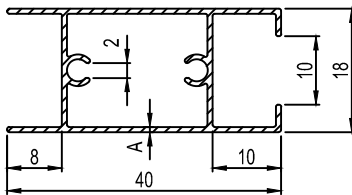
INTERLOCK



WT. / 12 Ft.

1.00 - 1.25
1.25 - 1.40
1.40 - 1.60
1.60 - 1.80
1.80 - 2.00

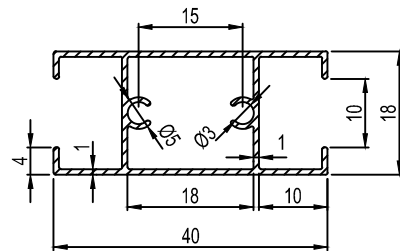
TOP BOTTOM



WT. / 12 Ft.

0.90 - 1.00
1.00 - 1.20
1.20 - 1.40
1.40 - 1.60
1.60 - 1.80
1.80 - 2.00

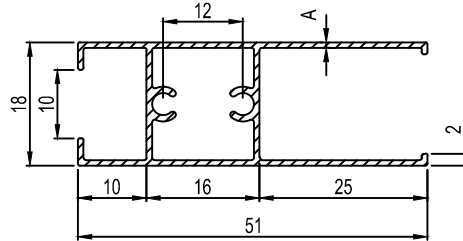
MITTING



WT. / 12 Ft.

1.00 - 1.20
1.20 - 1.40

BEARING BOTTOM

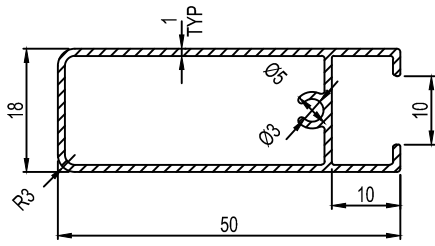


WT. / 12 Ft.
1.00 - 1.20
1.20 - 1.40
1.40 - 1.60
1.60 - 1.80
1.80 - 2.00

18mm SERIES

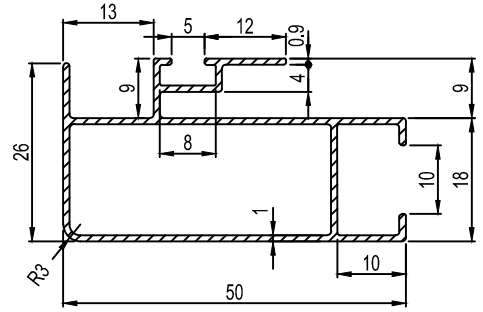
18 x 50mm

HANDLE (RADIUS)



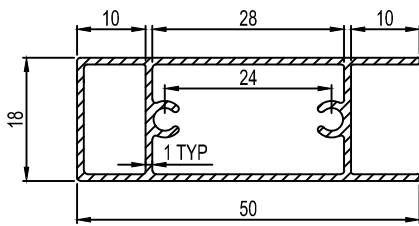
WT. / 12 Ft.
1.5-1.6

INTERLOCK (RADIUS)



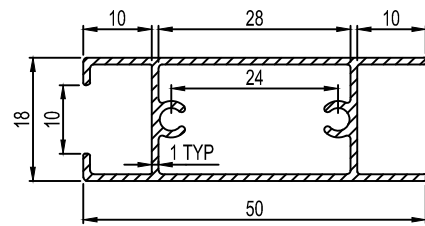
WT. / 12 Ft.
1.6-1.7

HANDLE (PLAIN)



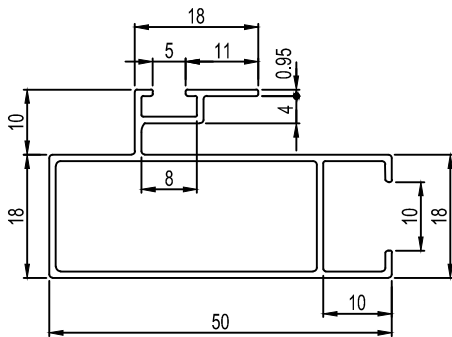
WT. / 12 Ft.
1.5-1.6

TOP BOTTOM



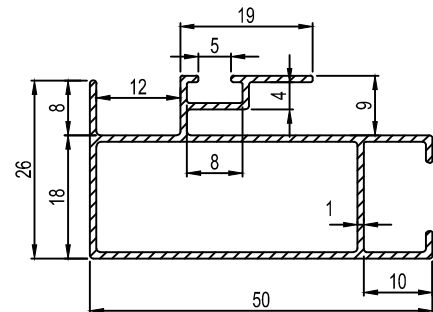
WT. / 12 Ft.
1.5-1.6

INTERLOCK WITHOUT LEG (PLAIN)



WT. / 12 Ft.
1.6-1.7

INTERLOCK WITH LEG (PLAIN)

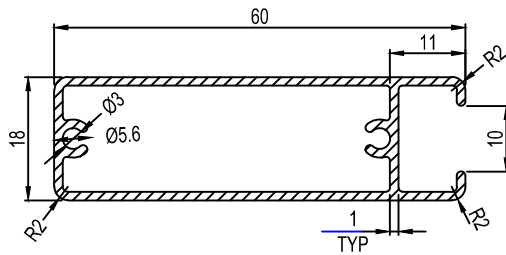


WT. / 12 Ft.
1.7-1.8

18mm SERIES

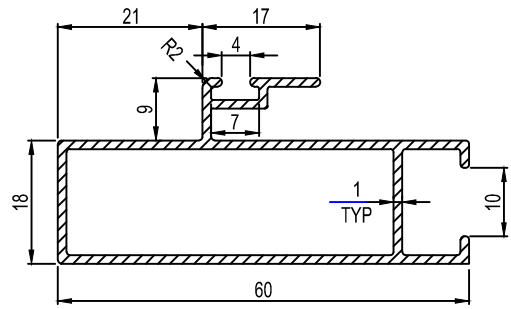
18 x 60mm

HANDLE (PLAIN)



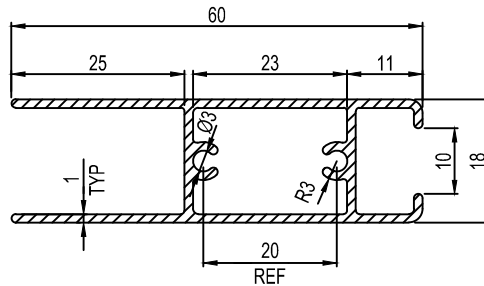
WT. / 12 Ft.
2.1-2.3

INTERLOCK (PLAIN)



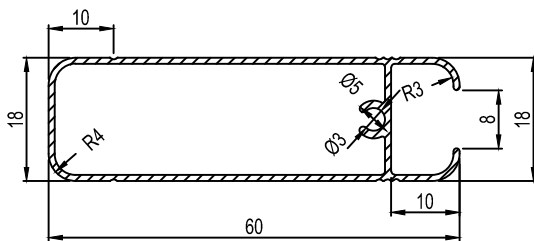
WT. / 12 Ft.
2.3-2.5

BEARING BOTTOM



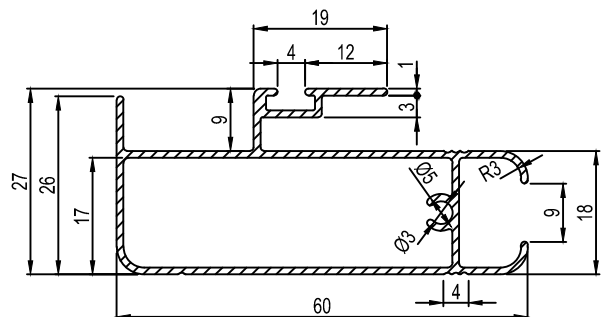
WT. / 12 Ft.
2.1-2.3

HANDLE (RADIUS)



WT. / 12 Ft.
1.4-1.6

INTERLOCK (RADIUS)

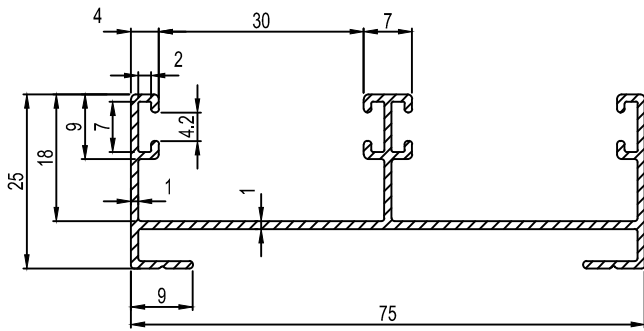


WT. / 12 Ft.
2.0-2.2

25mm SERIES

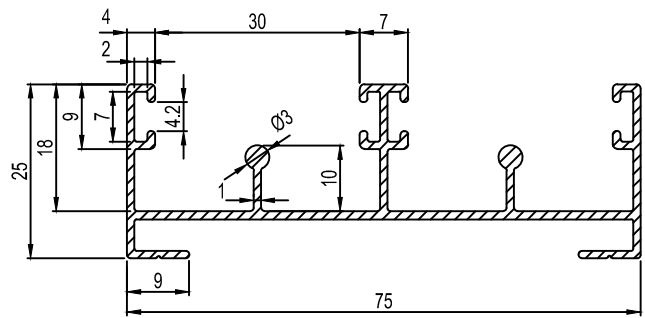
TRACK

TWO TRACK TOP



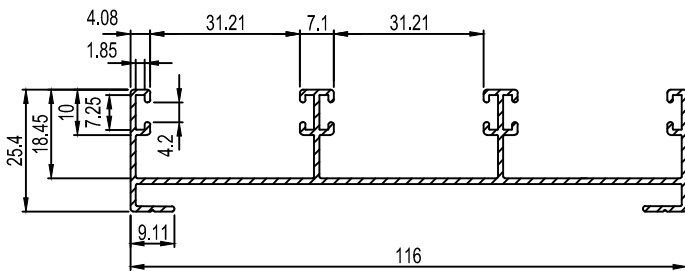
WT. / 12 Ft.
2.0-2.2

TWO TRACK BOTTOM



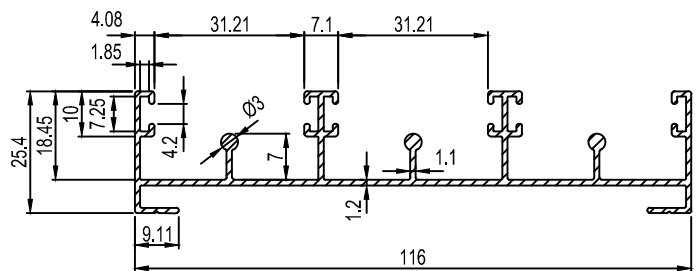
WT. / 12 Ft.
2.4-2.6

THREE TRACK TOP



WT. / 12 Ft.
3.0-3.2

THREE TRACK BOTTOM

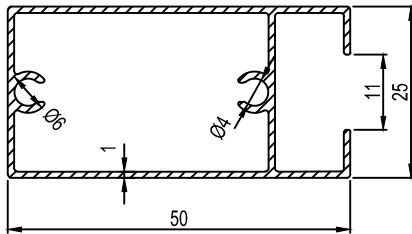


WT. / 12 Ft.
3.4-3.6

25mm SERIES

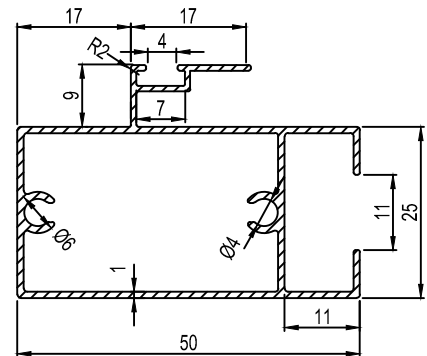
25 x 50mm

HANDLE



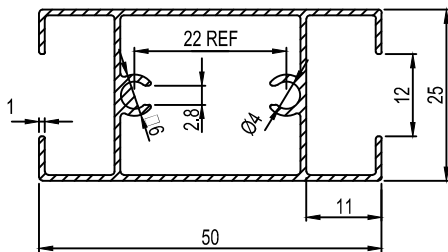
WT. / 12 Ft.
1.4-1.6
1.6-1.8
1.8-2.0
2.0-2.2

INTERLOCK



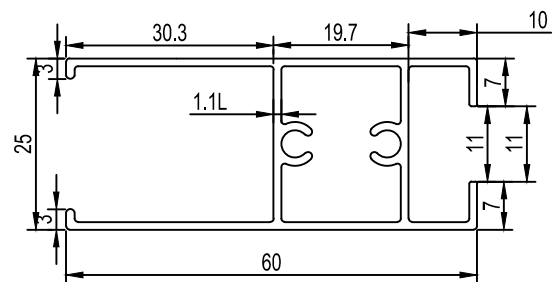
WT. / 12 Ft.
1.6-1.8
1.8-2.0
2.0-2.2

MIDDLE



WT. / 12 Ft.
1.4-1.6
1.8-2.0

BEARING BOTTOM

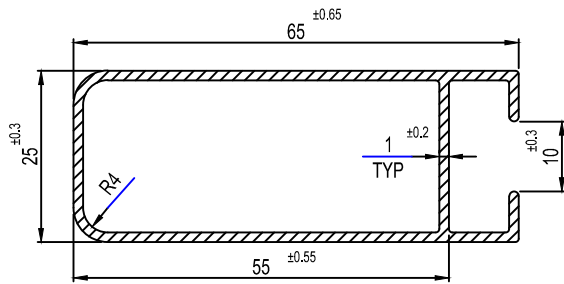


WT. / 12 Ft.
2.0-2.2
2.2-2.4

25mm SERIES

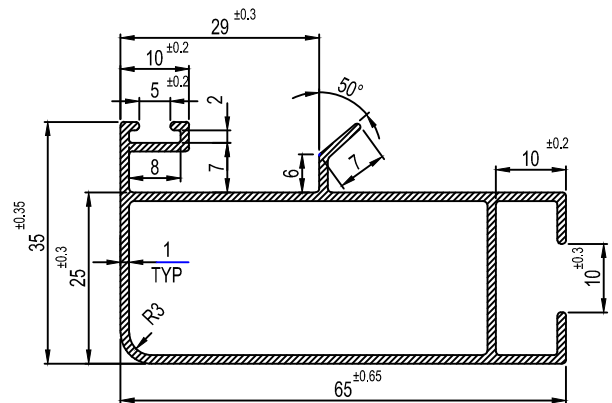
25 x 65mm

HANDLE



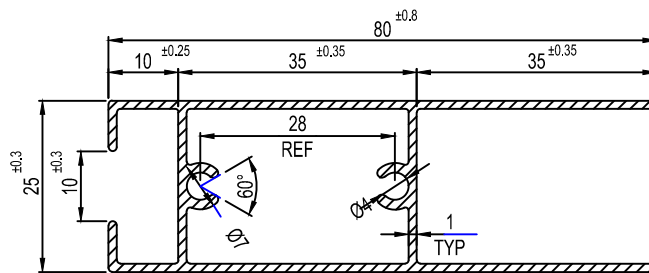
WT. / 12 Ft.
2.5-2.7

INTERLOCK



WT. / 12 Ft.
2.7-2.9

BEARING BOTTOM

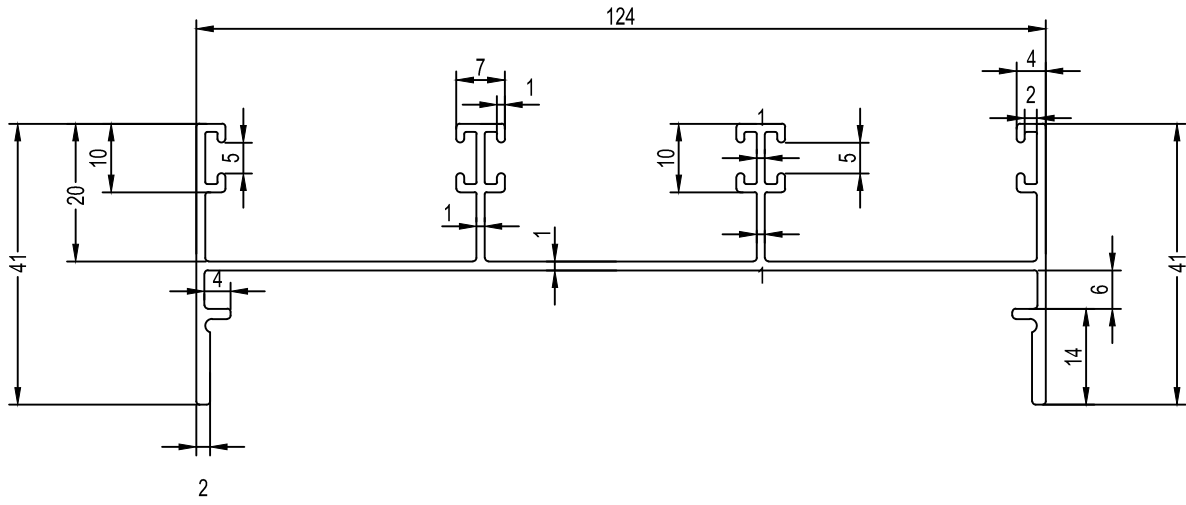


WT. / 12 Ft.
2.8-3.00

30mm SERIES

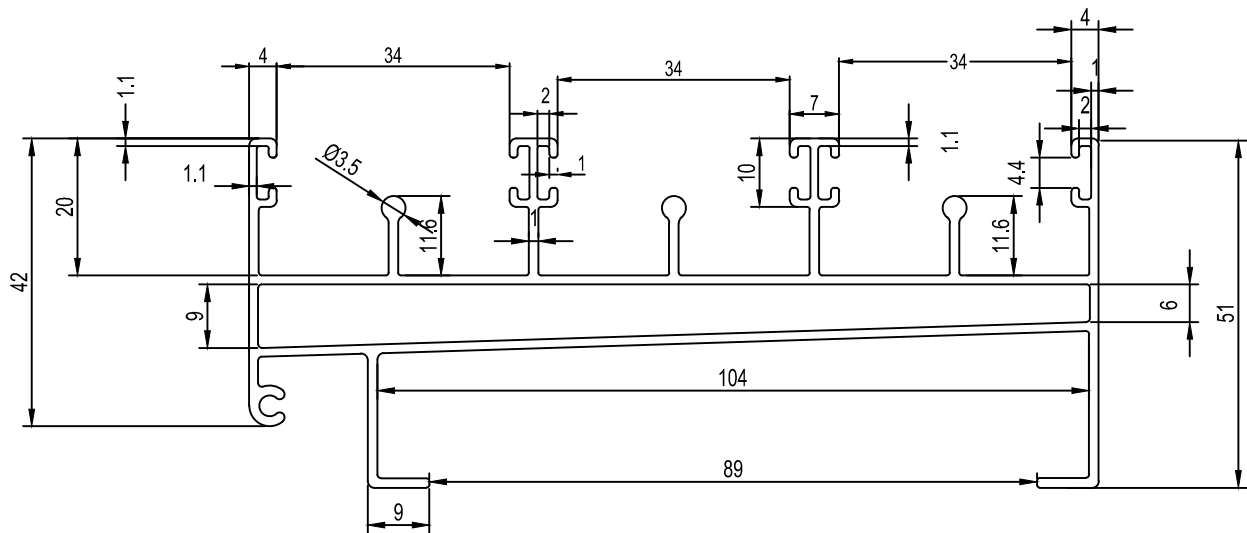
TRACK

THREE TRACK TOP



WT. / 12 Ft.
3.9-4.0

THREE TRACK BOTTOM

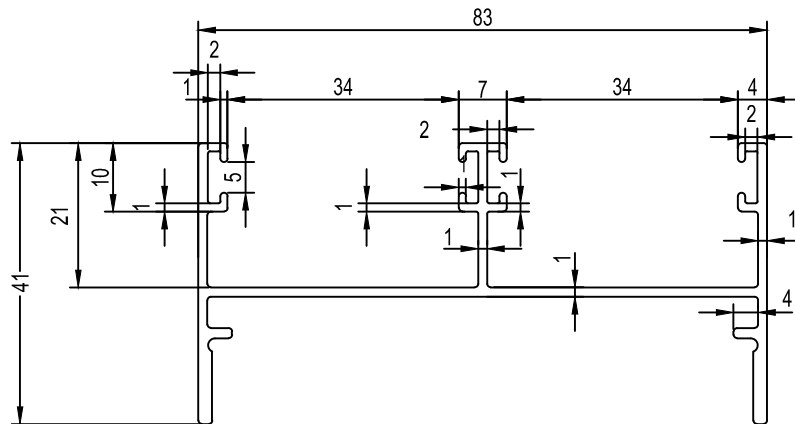


WT. / 12 Ft.
6.6-6.8

30mm SERIES

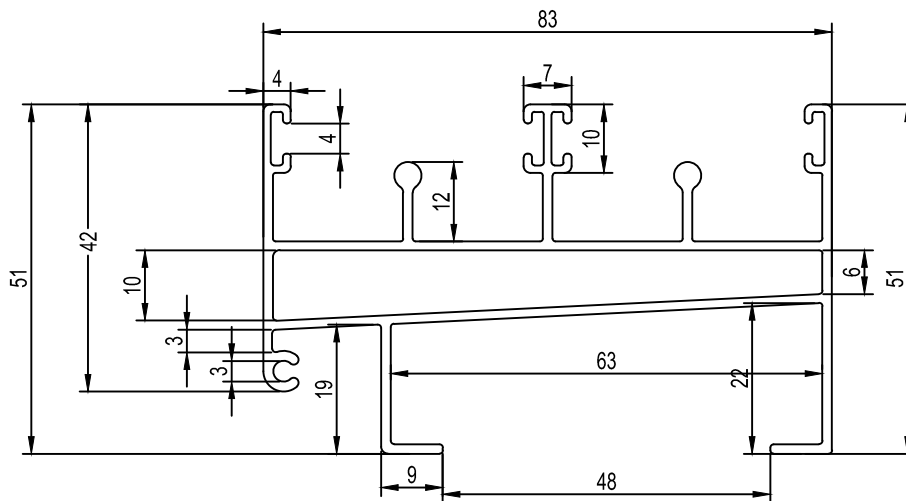
TRACK

TWO TRACK TOP



WT. / 12 Ft.
3.00-3.1

TWO TRACK TOP

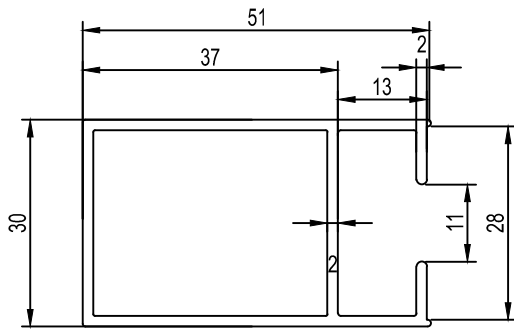


WT. / 12 Ft.
4.9-5.1

30mm SERIES

30 x 50mm

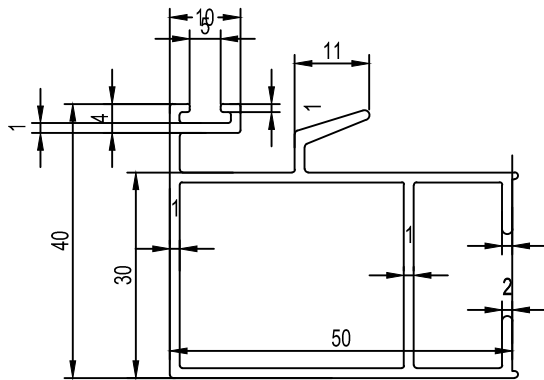
HANDLE



WT. / 12 Ft.

2.60-2.70

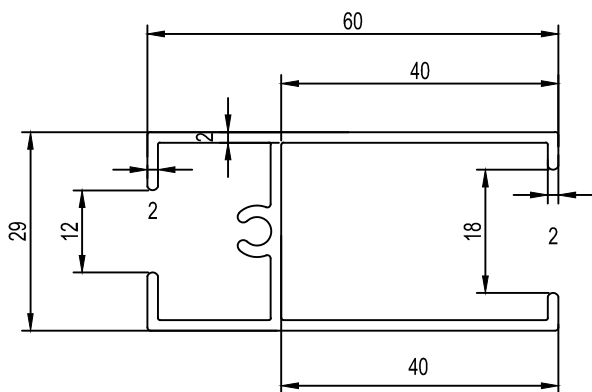
INTERLOCK



WT. / 12 Ft.

3.20-3.30

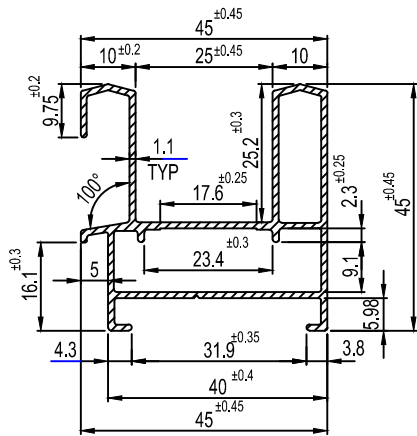
HANDLE



WT. / 12 Ft.

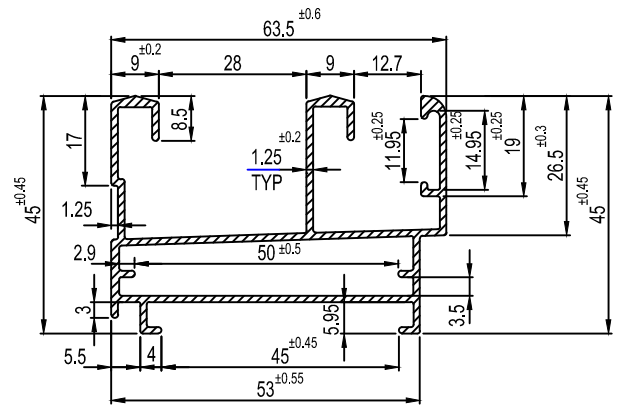
2.60-2.80

27 x 60mm SERIES-A



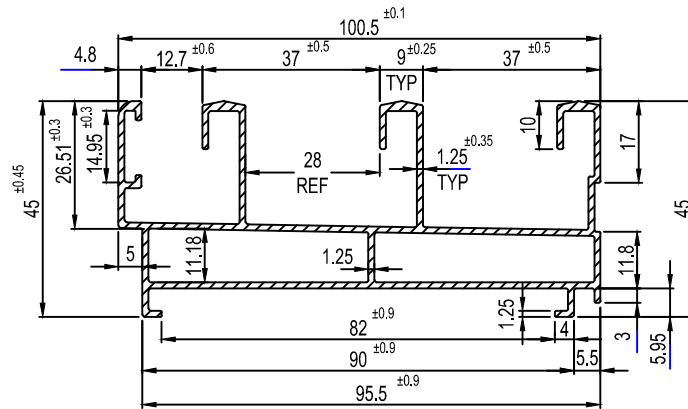
WEIGHT :- 0.438
AREA :- 162.741

DIE NO :- 1342



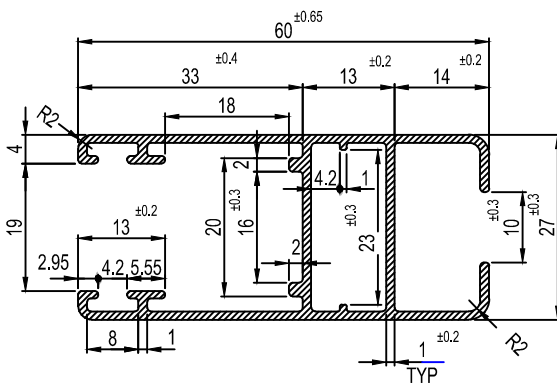
WEIGHT :- 0.970
AREA :- 359.404

DIE NO :- 1343



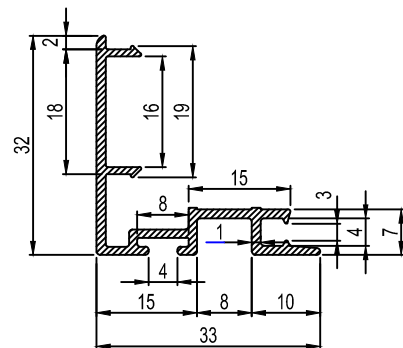
WEIGHT :- 1.407
AREA :- 520.939

DIE NO :- 1332



WEIGHT :- 0.690
AREA :- 255.920

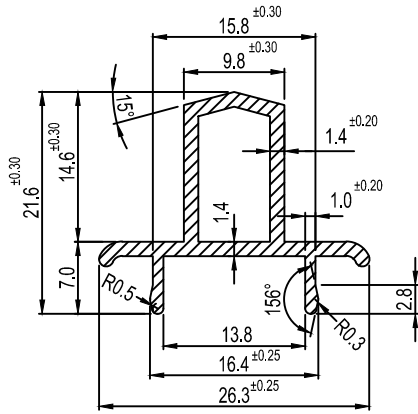
DIE NO :- 1333



WEIGHT :- 0.324
AREA :- 119.929

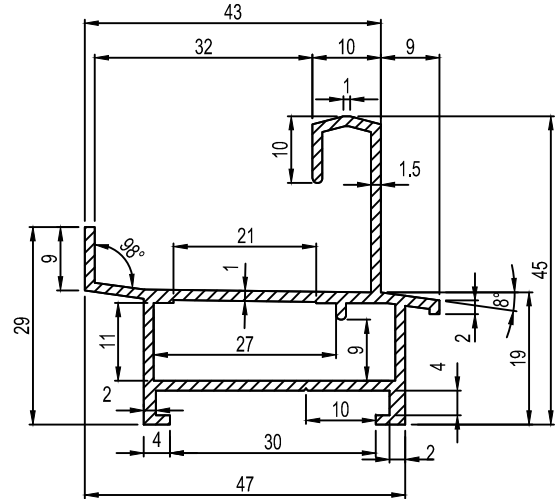
DIE NO :- 1331

27 x 60mm SERIES-B



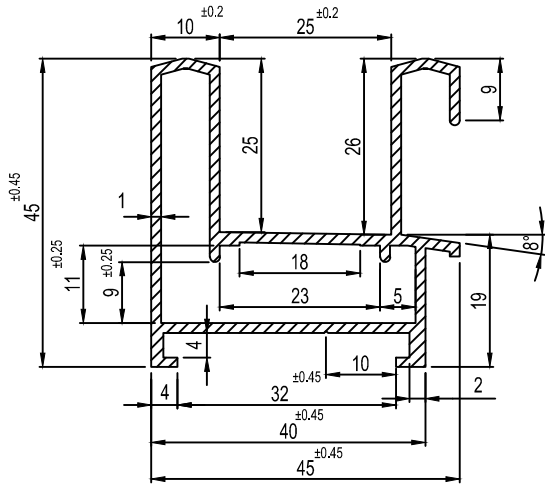
WEIGHT :- 0.261
AREA :- 97.274

DIE NO :- 2710



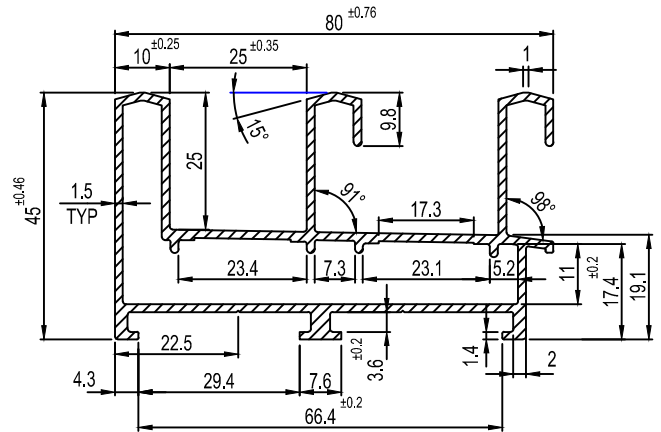
WEIGHT :- 0.719
AREA :- 266.392

DIE NO :- 2701



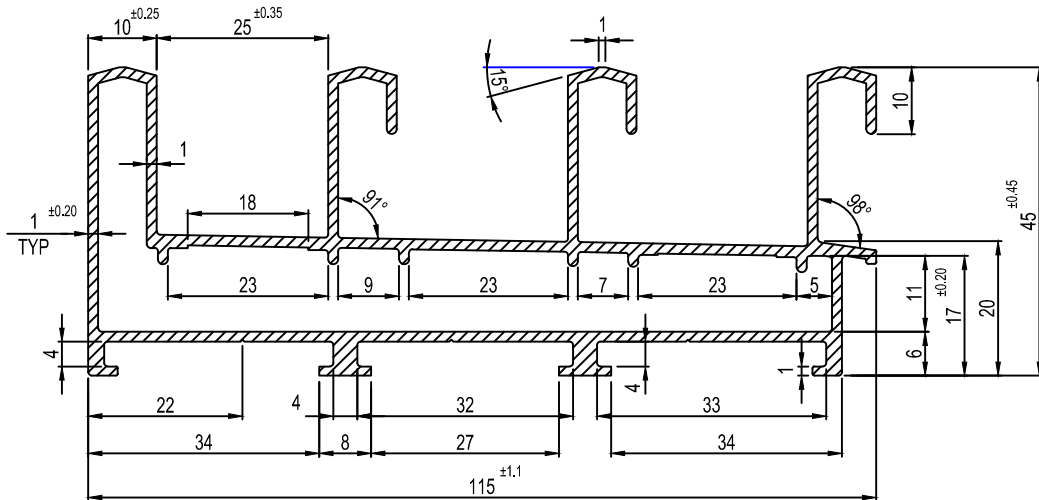
WEIGHT :- 0.871
AREA :- 323.135

DIE NO :- 2702



WEIGHT :- 1.398
AREA :- 517.831

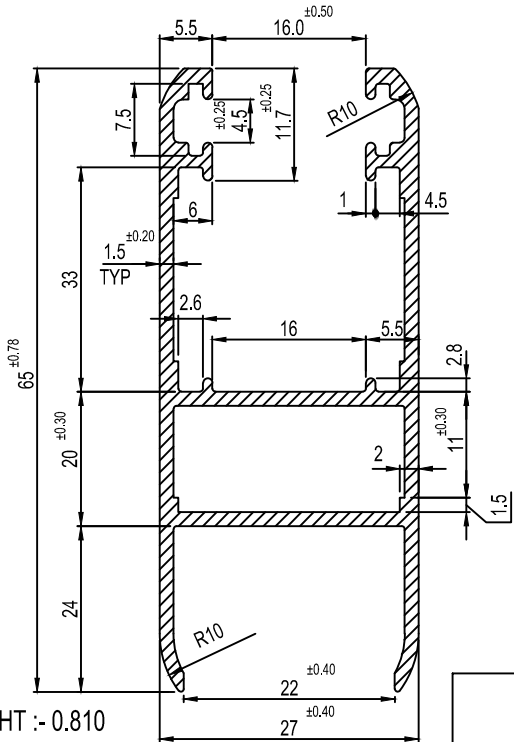
DIE NO :- 2703



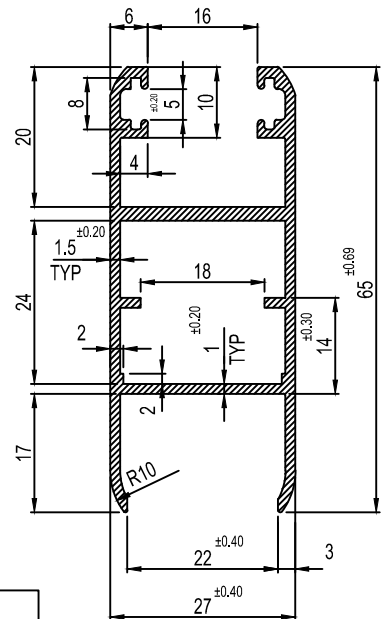
WEIGHT :- 1.906
AREA :- 705.79

DIE NO :- 2704

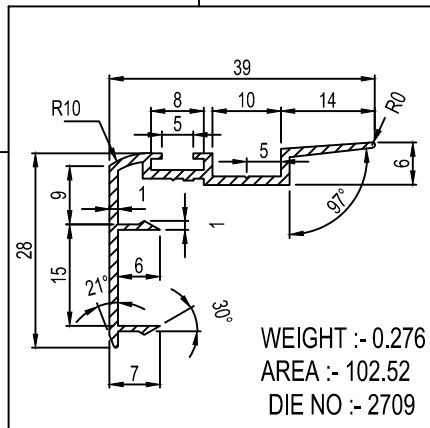
27 x 60mm SERIES-B



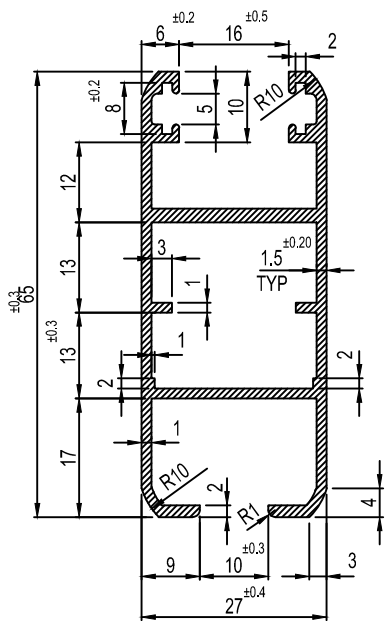
WEIGHT :- 0.810
 AREA :- 300.311
 DIE NO :- 2705



WEIGHT :- 0.838
 AREA :- 310.512
 DIE NO :- 2706

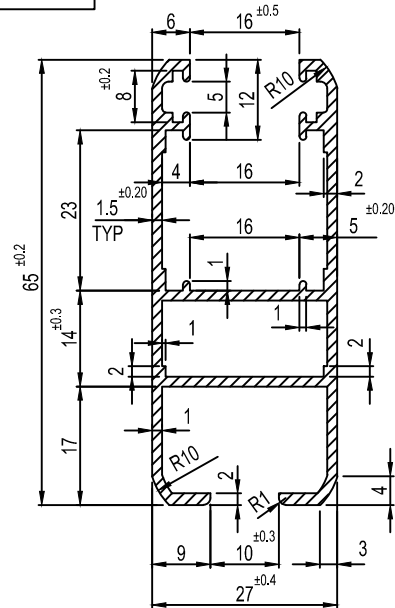


WEIGHT :- 0.276
 AREA :- 102.52
 DIE NO :- 2709



WEIGHT :- 0.863
 AREA :- 329.908

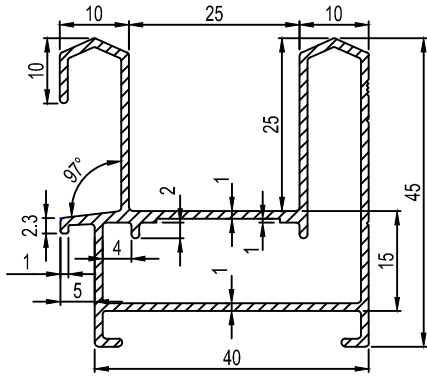
DIE NO :- 2707



WEIGHT :- 0.863
 AREA :- 319.512

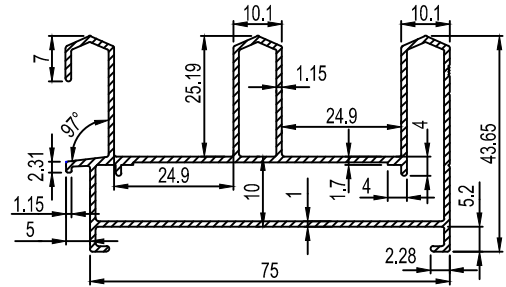
DIE NO :- 2708

27 x 65mm SERIES



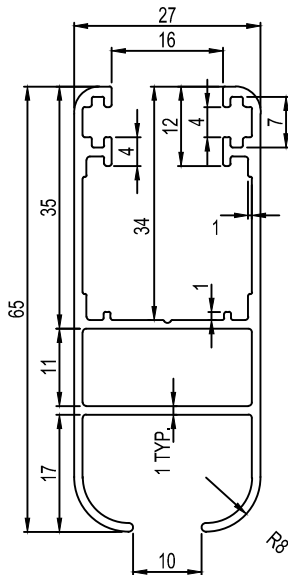
WEIGHT :- 0.690
AREA :- 256.0

DIE NO :- 1211



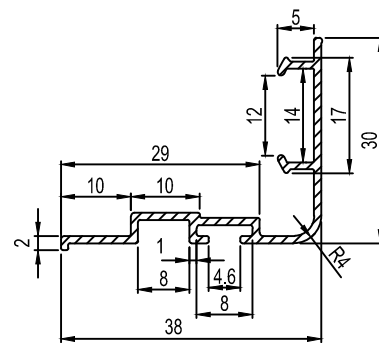
WEIGHT :- 1.082
AREA :- 400.72

DIE NO :- 1210



WEIGHT :- 0.754
AREA :- 279.29

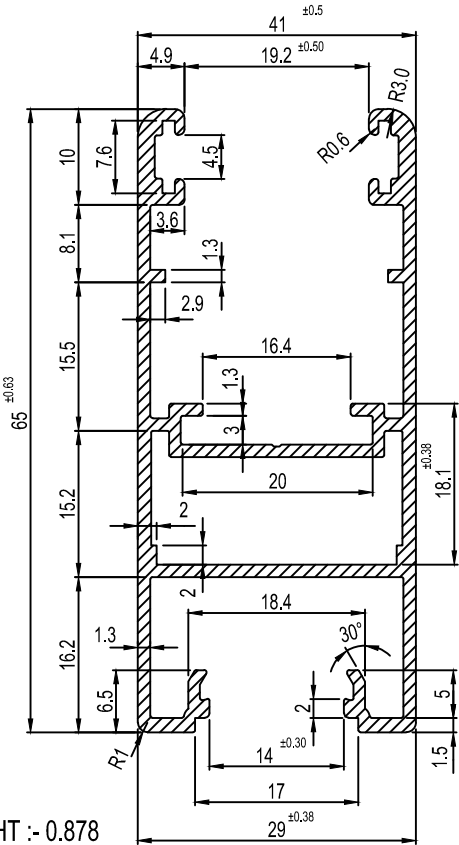
DIE NO :- 1212



WEIGHT :- 0.260
AREA :- 96.16

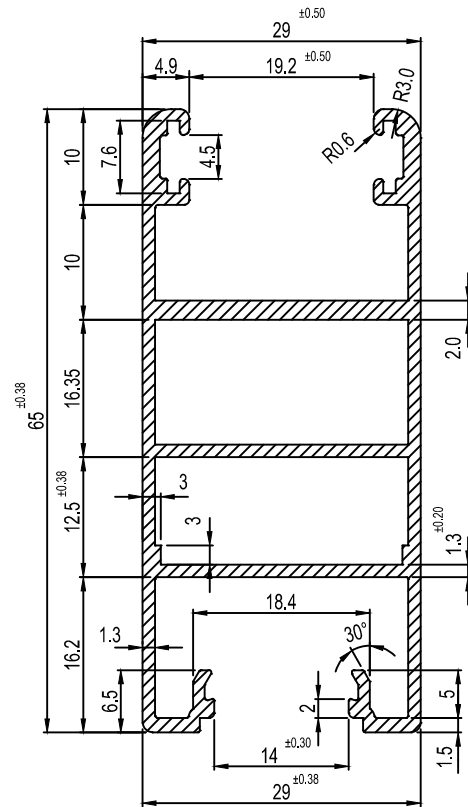
DIE NO :- 1213

29mm SERIES



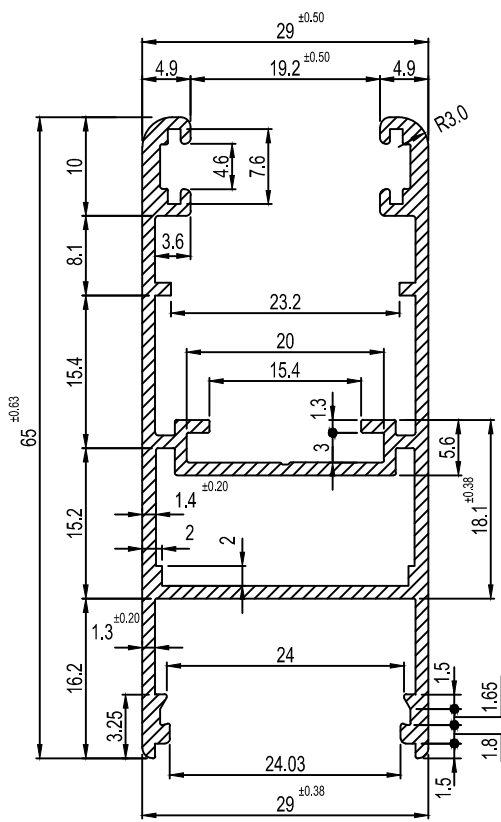
WEIGHT :- 0.878
AREA :- 324.843

DIE NO :- 2904



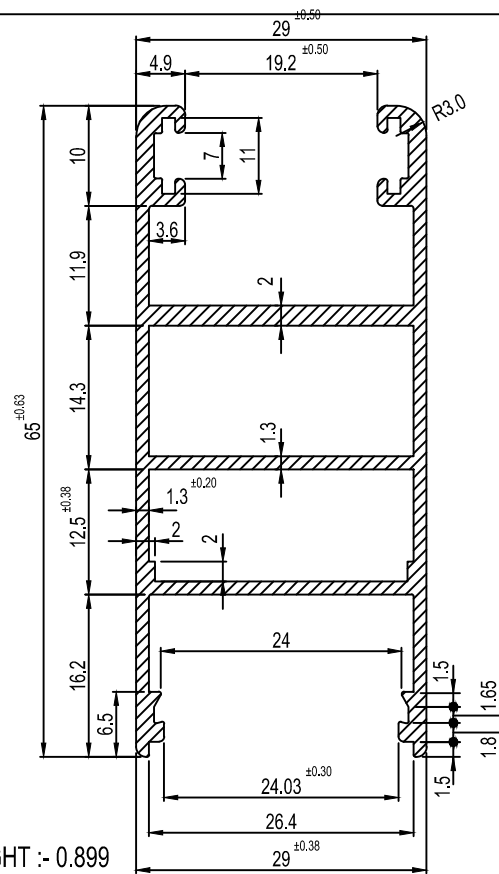
WEIGHT :- 0.910
AREA :- 330.70

DIE NO :- 2905



WEIGHT :- 0.817
AREA :- 302.67

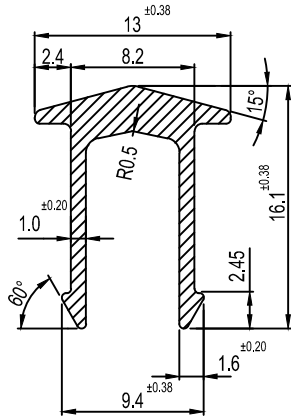
DIE NO :- 2706



WEIGHT :- 0.899
AREA :- 332.985

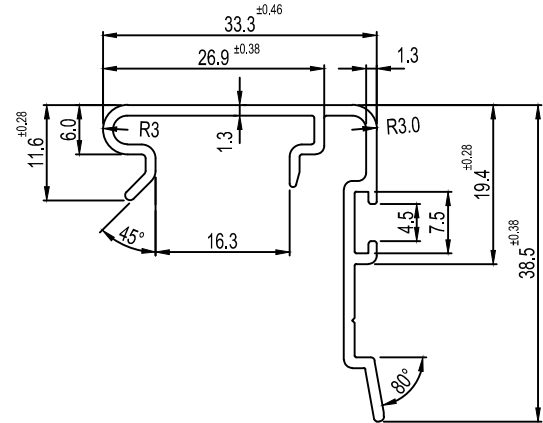
DIE NO :- 2707

29mm SERIES



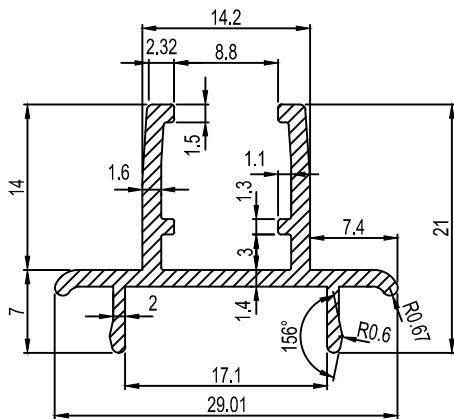
WEIGHT :- 0.148
AREA :- 54.951

DIE NO :- 2908



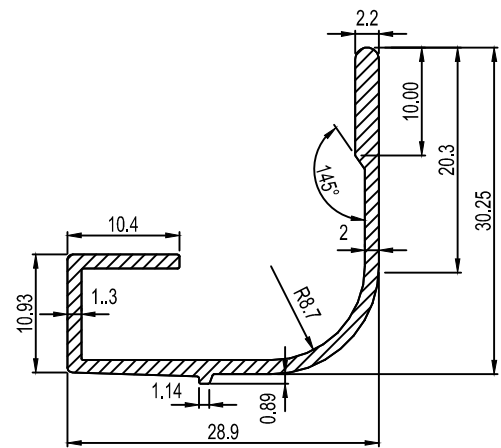
WEIGHT :- 0.357
AREA :- 132.367

DIE NO :- 2909



WEIGHT :- 0.275
AREA :- 101.82

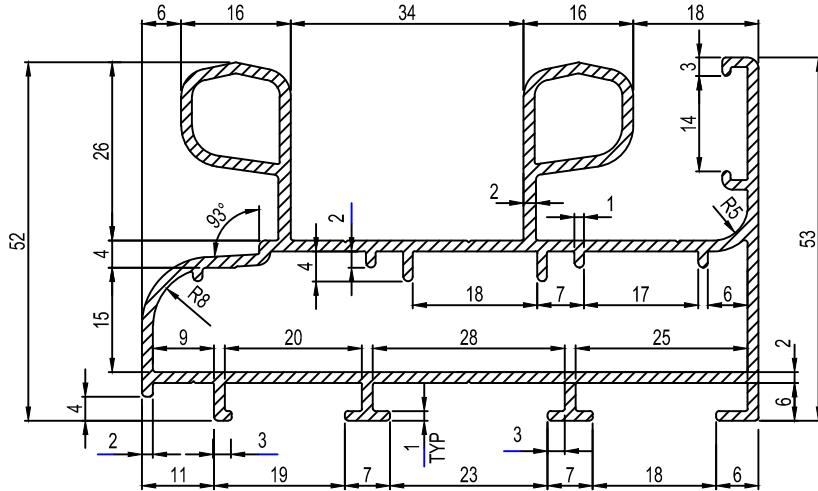
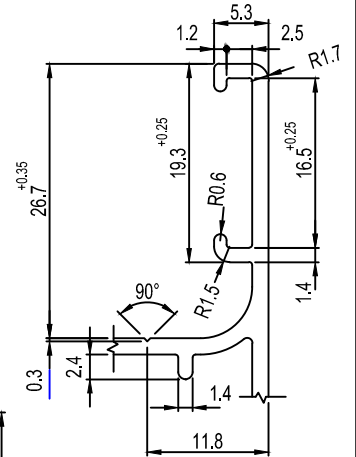
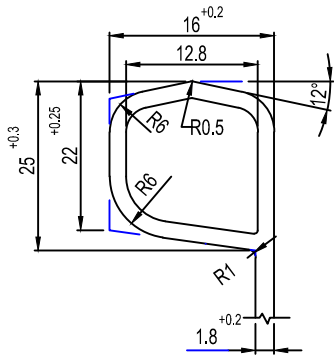
DIE NO :- 2910



WEIGHT :- 0.283
AREA :- 104.762

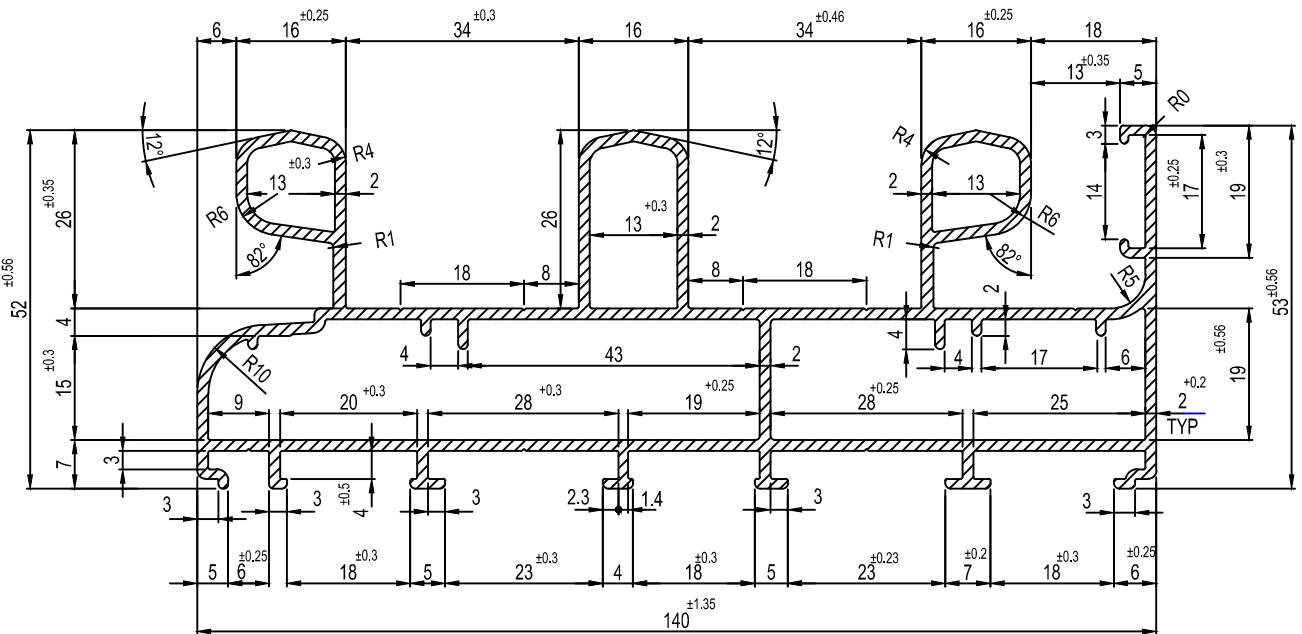
DIE NO :- 2911

37mm SERIES



WEIGHT :- 1.820
AREA :- 673.919

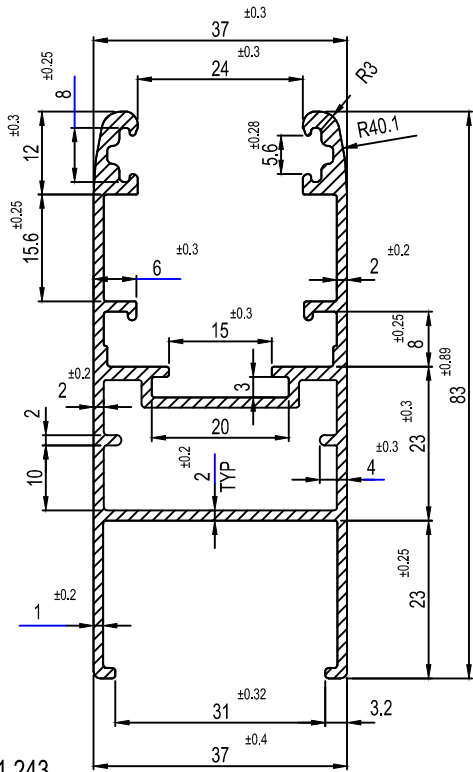
DIE NO :- 3701



WEIGHT :- 2.669
AREA :- 988.351

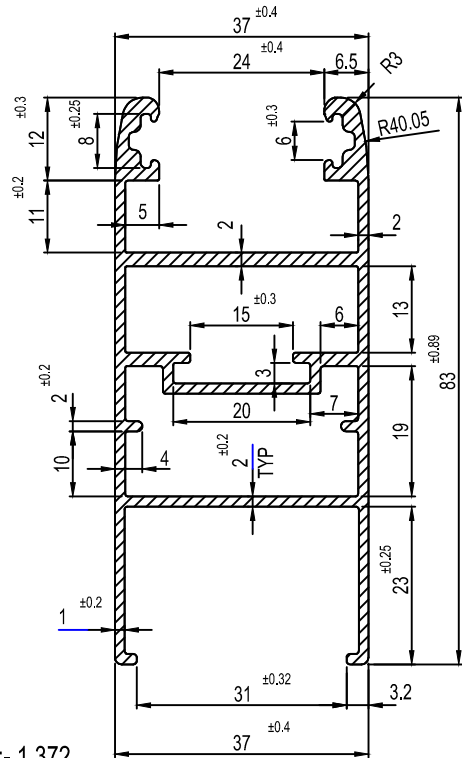
DIE NO :- 1307

37mm SERIES



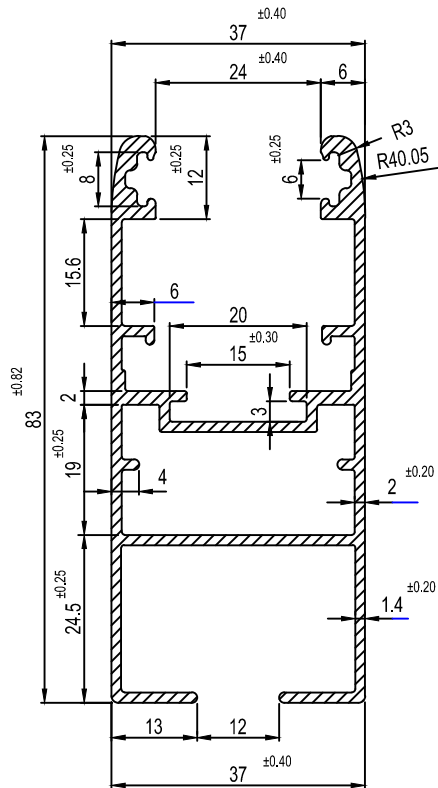
WEIGHT :- 1.243
AREA :- 460.303

DIE NO :- 3703



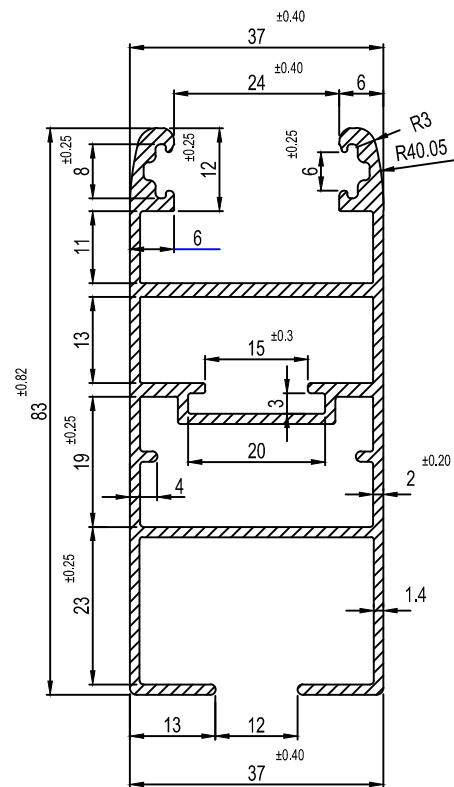
WEIGHT :- 1.372
AREA :- 508.138

DIE NO :- 3704



WEIGHT :- 1.318
AREA :- 487.986

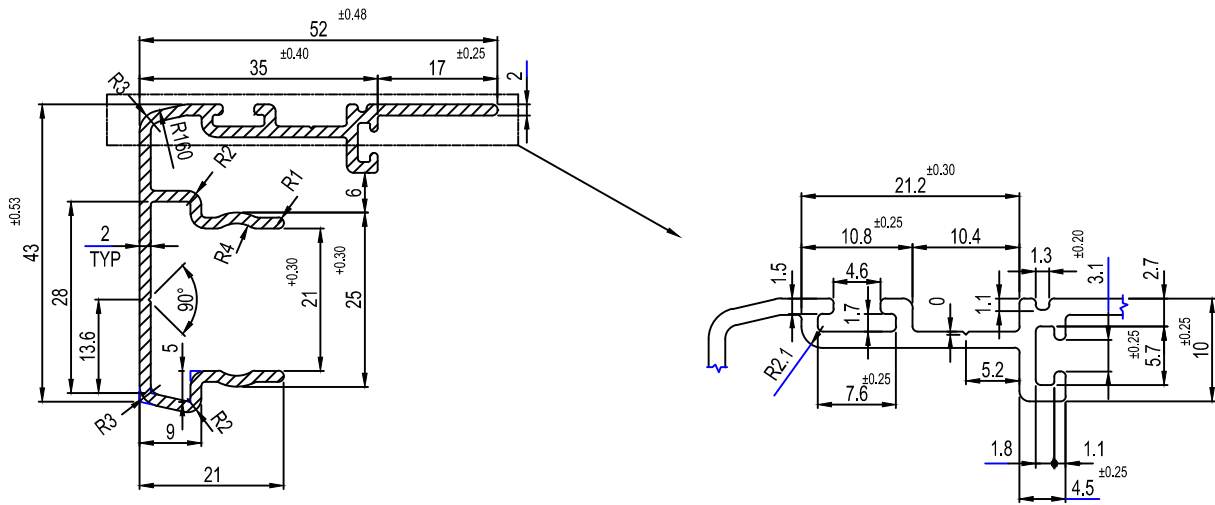
DIE NO :- 3705



WEIGHT :- 1.447
AREA :- 535.821

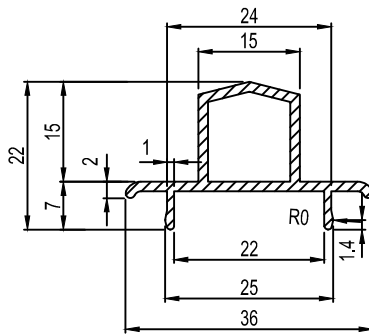
DIE NO :- 3706

37mm SERIES



WEIGHT :- 0.689
AREA :- 255.247

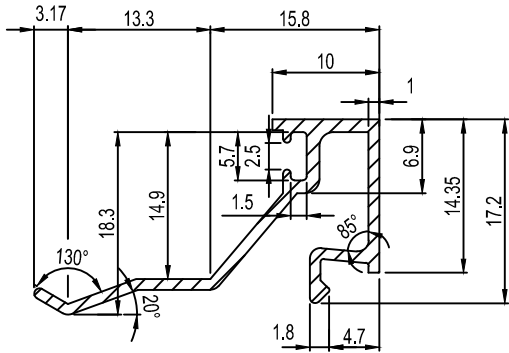
DIE NO :- 3707



WEIGHT :- 0.314
AREA :- 116.57

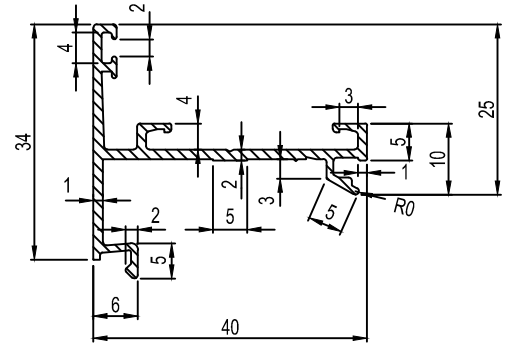
DIE NO :- 3708

40mm SERIES



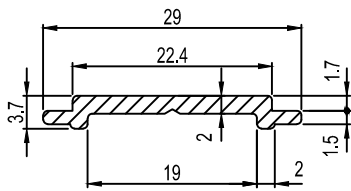
WEIGHT :- 0.201
AREA :- 74.888

DIE NO :- 4007



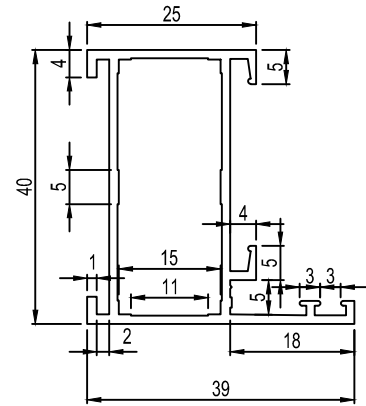
WEIGHT :- 0.387
AREA :- 143.322

DIE NO :- 4008



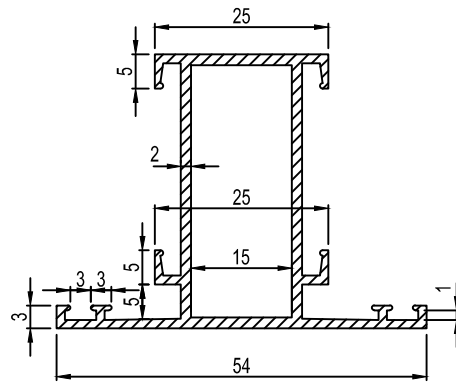
WEIGHT :- 0.162
AREA :- 59.918

DIE NO :- 4009



WEIGHT :- 0.545
AREA :- 202.16

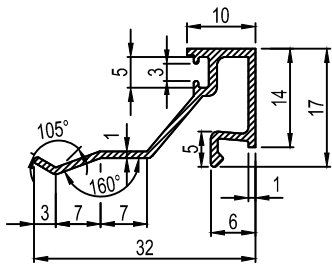
DIE NO :- 4001



WEIGHT :- 0.708
AREA :- 262.50

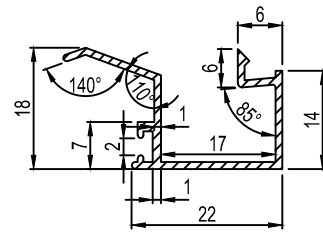
DIE NO :- 4002

40mm SERIES



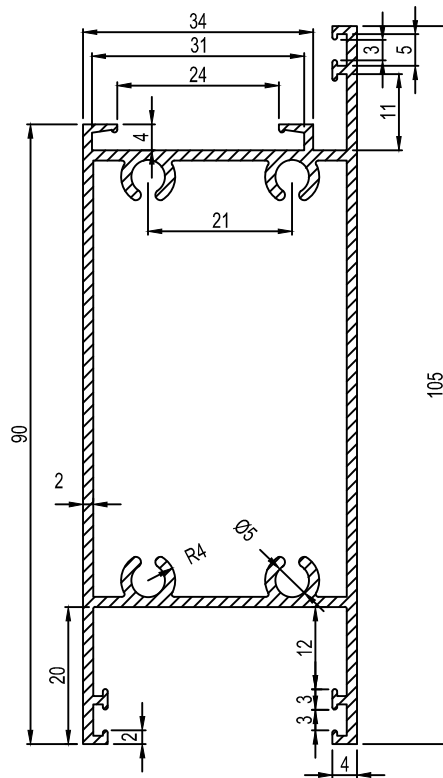
WEIGHT :- 0.202
AREA :- 74.99

DIE NO :- 4007



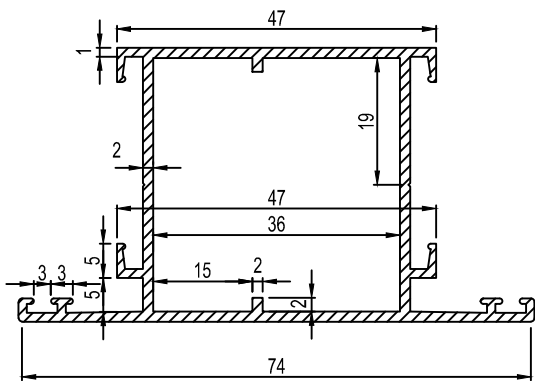
WEIGHT :- 0.210
AREA :- 77.82

DIE NO :- 4006



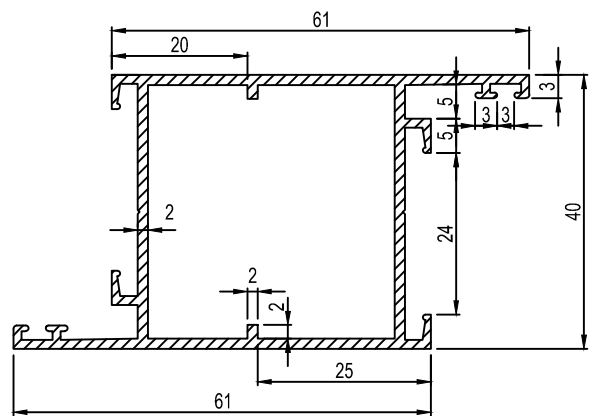
WEIGHT :- 1.386
AREA :- 513.45

DIE NO :- 4005



WEIGHT :- 0.897
AREA :- 332.56

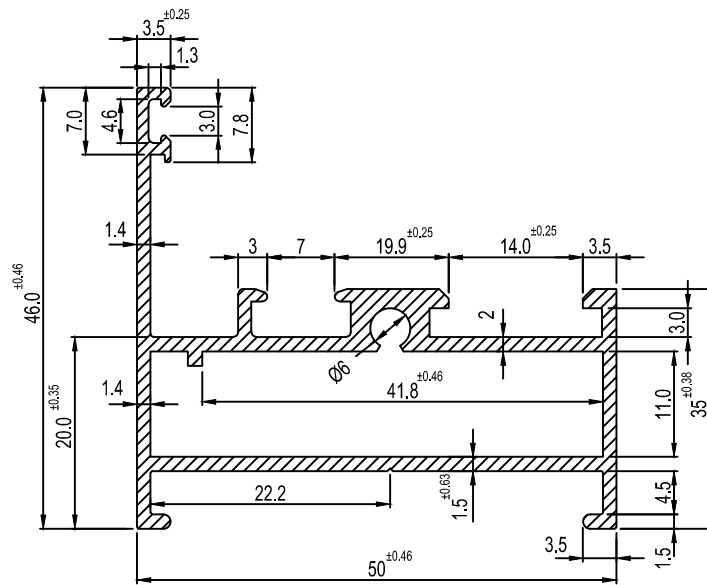
DIE NO :- 4004



WEIGHT :- 0.898
AREA :- 332.62

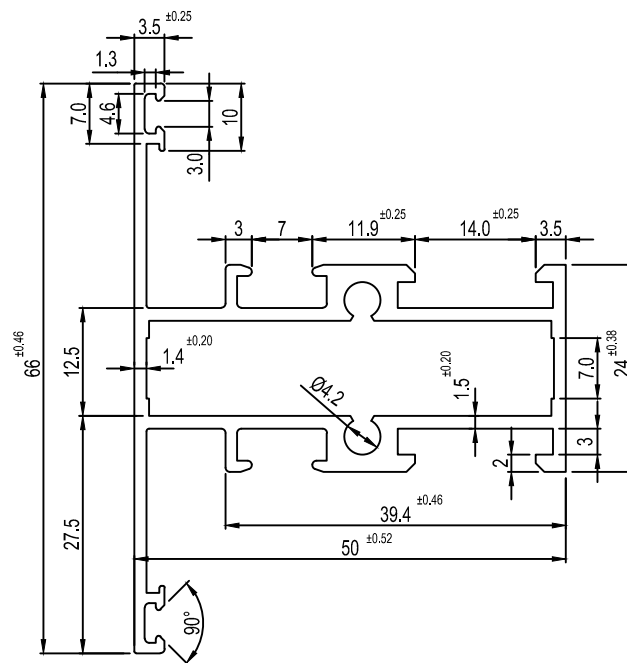
DIE NO :- 4003

50mm SERIES



WEIGHT :- 0.807
AREA :- 299.033

DIE NO :- 5001

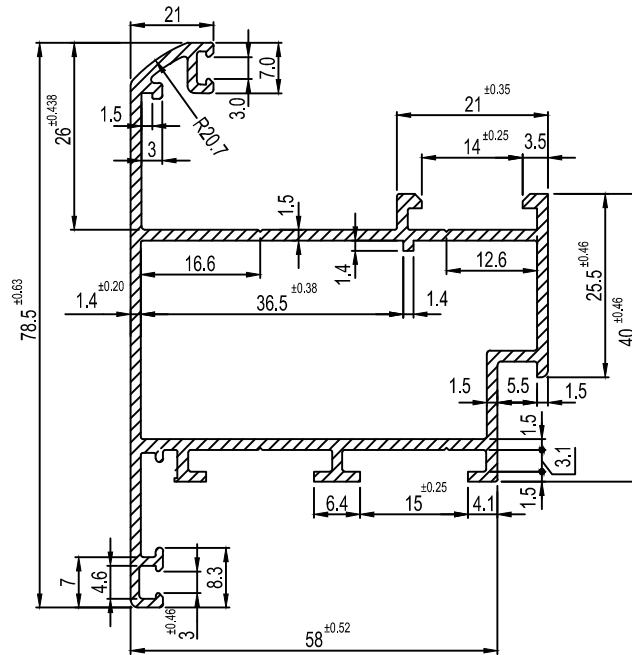


WEIGHT :- 0.998
AREA :- 369.733

DIE NO :- 5002

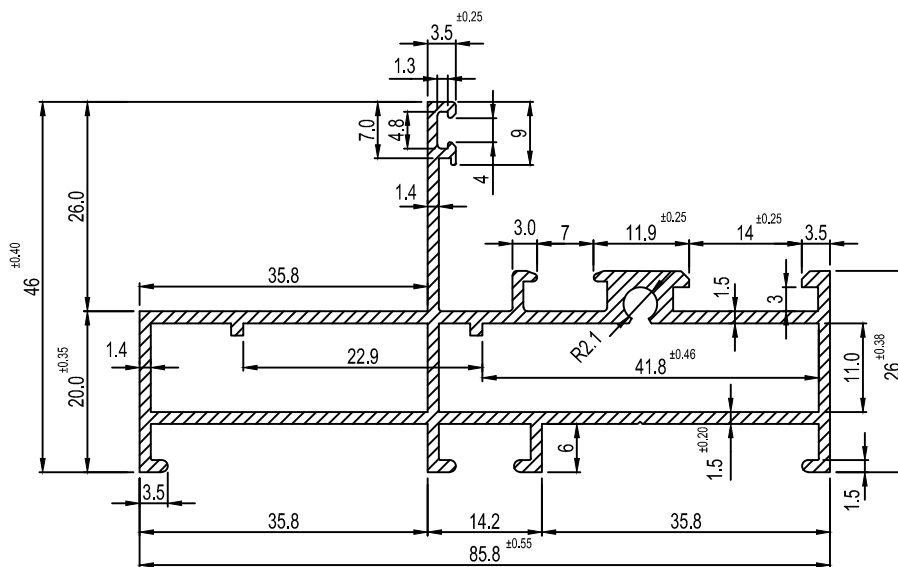
C:\Users\Vicky\Desktop\nitesh\Darshan.jpg

50mm SERIES



WEIGHT :- 1.136
 AREA :- 420.575

DIE NO :- 5003

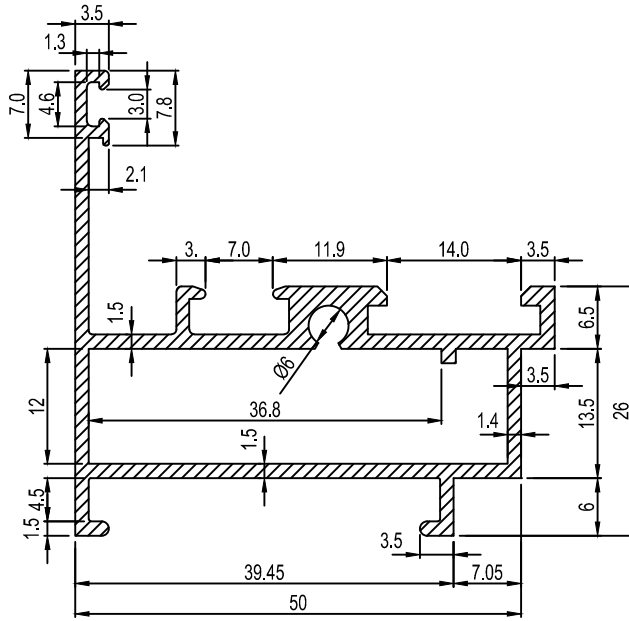


WEIGHT :- 1.206
 AREA :- 446.726

DIE NO :- 5005

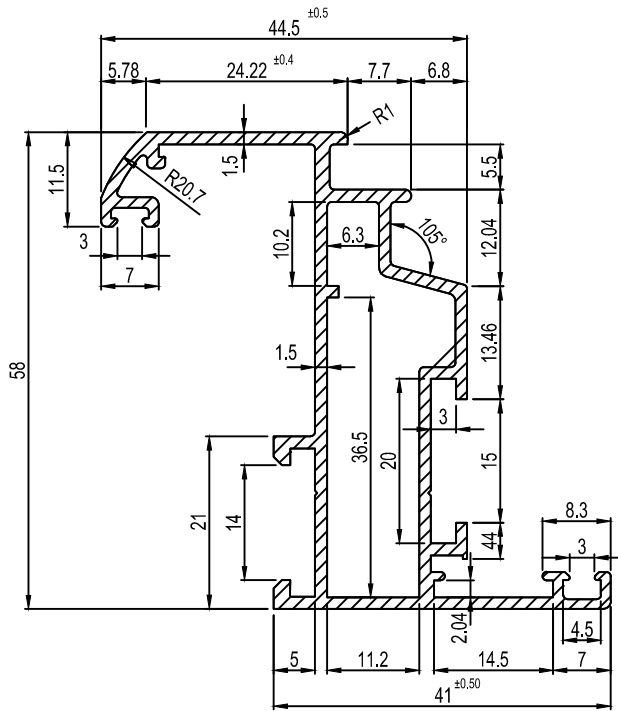
C:\Users\Vicky\Desktop\nitesh\Darshan.jpg

50mm SERIES



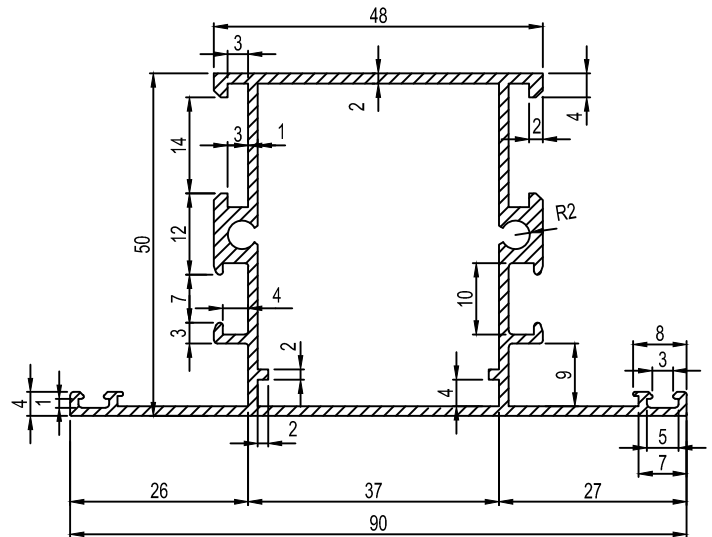
WEIGHT :- 0.808
 AREA :- 299.435

DIE NO :- 5006



WEIGHT :- 0.952
 AREA :- 353.102

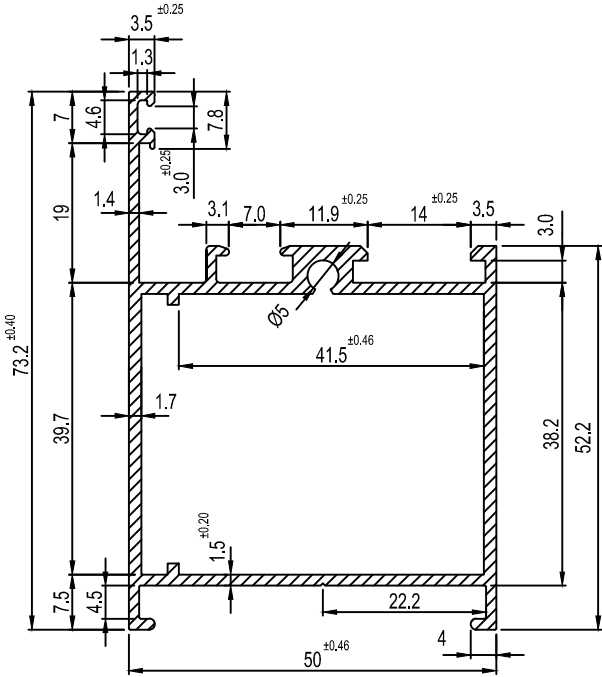
DIE NO :- 5004



WEIGHT :- 1.171
 AREA :- 433.687

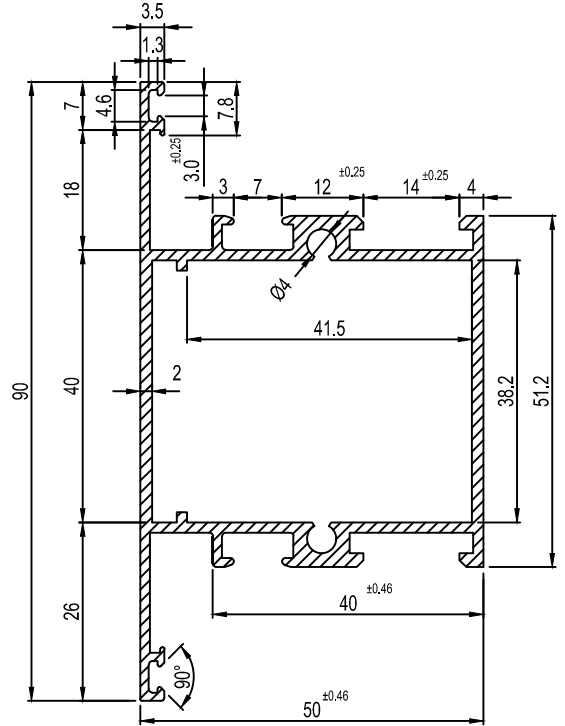
DIE NO :- 5013

50mm SERIES



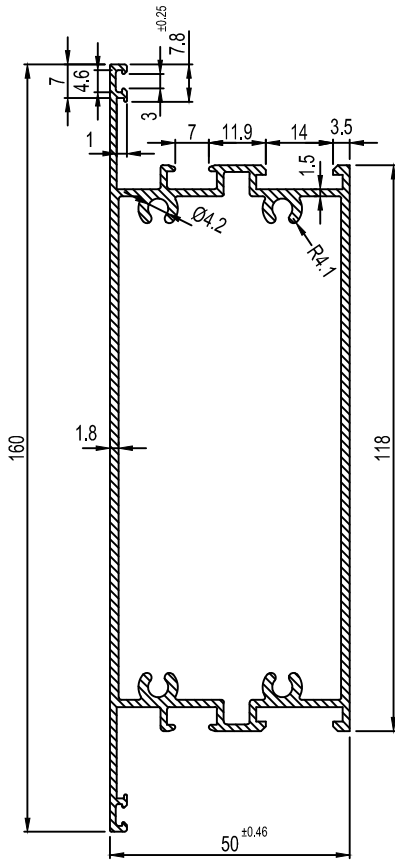
WEIGHT :- 1.081
AREA :- 400.342

DIE NO :- 5007



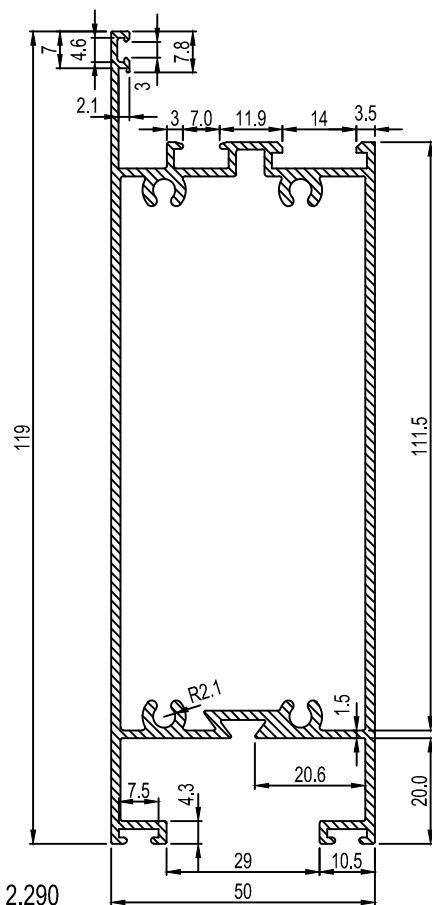
WEIGHT :- 1.249
AREA :- 462.947

DIE NO :- 5008



WEIGHT :- 2.135
AREA :- 790.817

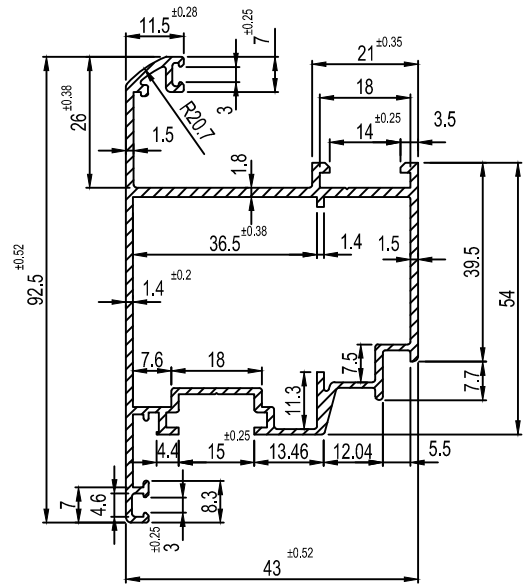
DIE NO :- 5011



WEIGHT :- 2.290
AREA :- 848.518

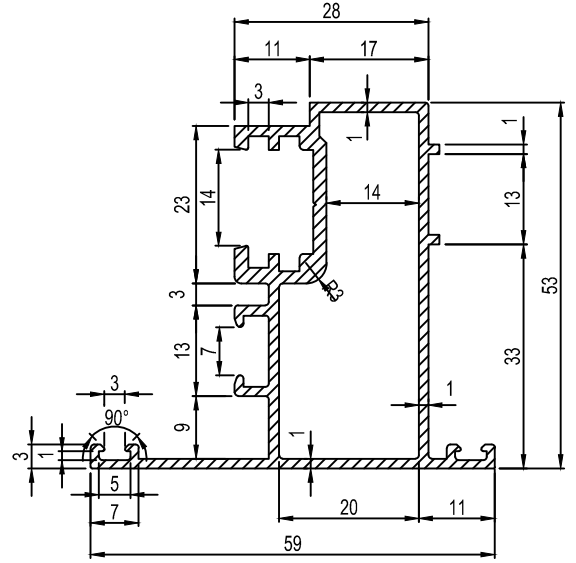
DIE NO :- 5012

50mm SERIES



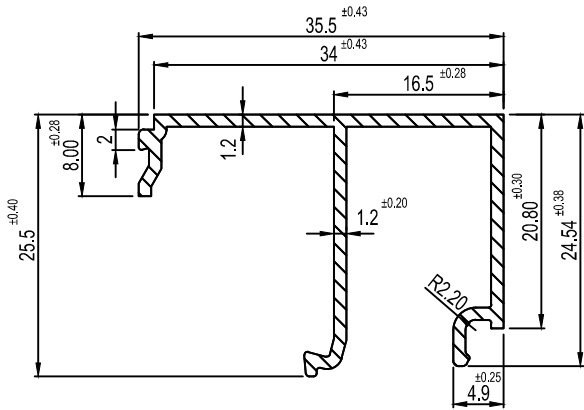
WEIGHT :- 1.291
AREA :- 478.591

DIE NO :- 5009



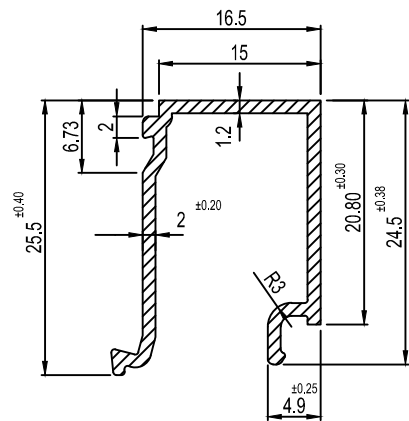
WEIGHT :- 0.965
AREA :- 357.448

DIE NO :- 5010



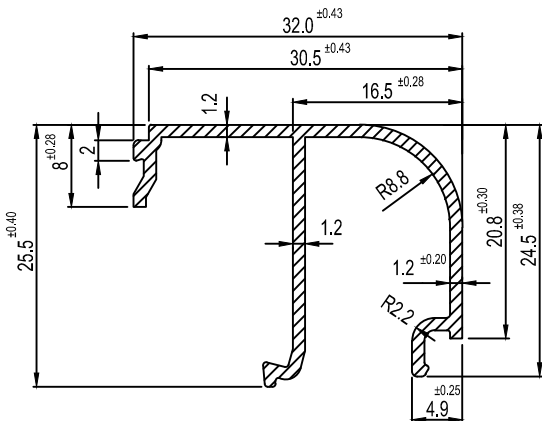
WEIGHT :- 0.213
AREA :- 115.751

DIE NO :- 5013



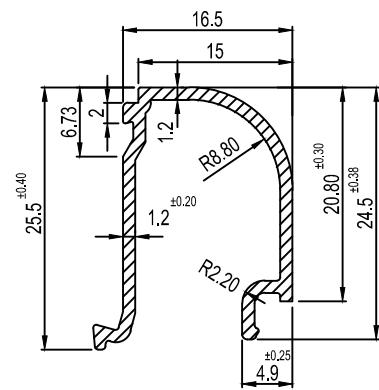
WEIGHT :- 0.231
AREA :- 85.374

DIE NO :- 5014



WEIGHT :- 0.286
AREA :- 105.752

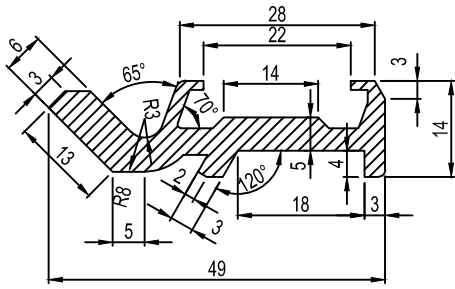
DIE NO :- 5015



WEIGHT :- 0.216
AREA :- 80.524

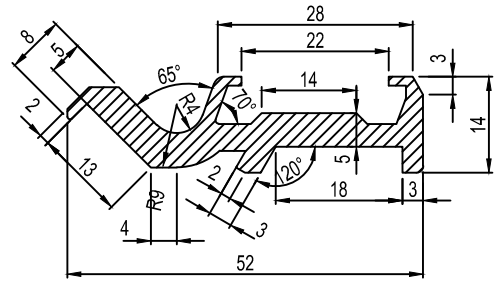
DIE NO :- 5016

CORNER CLEATS



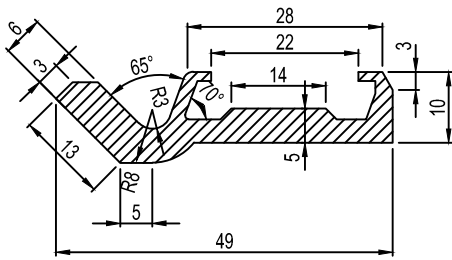
WEIGHT :- 0.823
AREA :- 304.71

DIE NO :- 2869



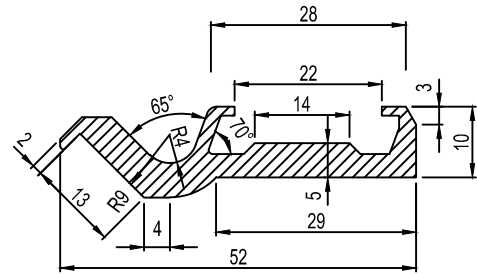
WEIGHT :- 0.820
AREA :- 303.75

DIE NO :- 2870



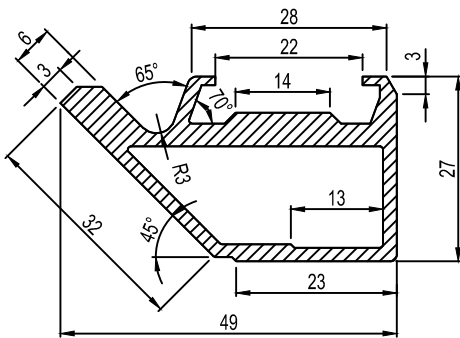
WEIGHT :- 0.755
AREA :- 279.70

DIE NO :- 2871



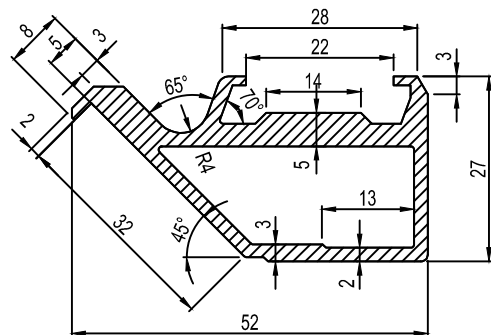
WEIGHT :- 0.752
AREA :- 278.56

DIE NO :- 2872



WEIGHT :- 1.010
AREA :- 373.94

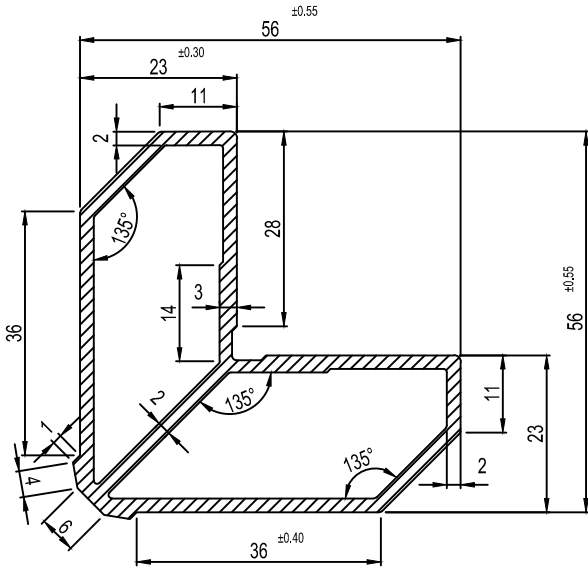
DIE NO :- 2877



WEIGHT :- 1.010
AREA :- 374.11

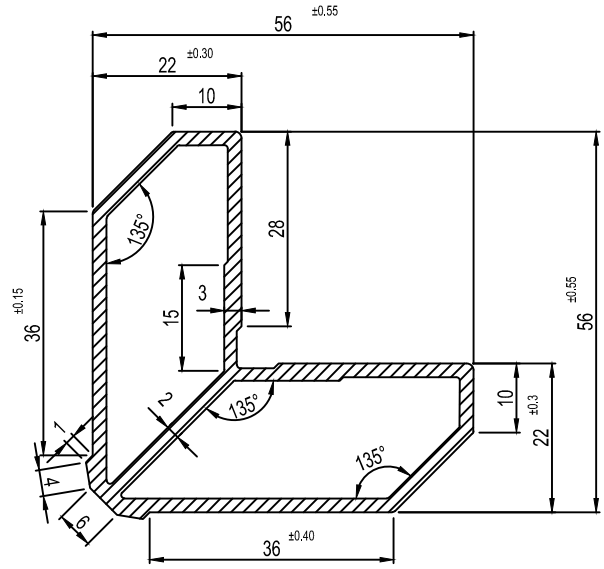
DIE NO :- 2878

CORNER CLEATS



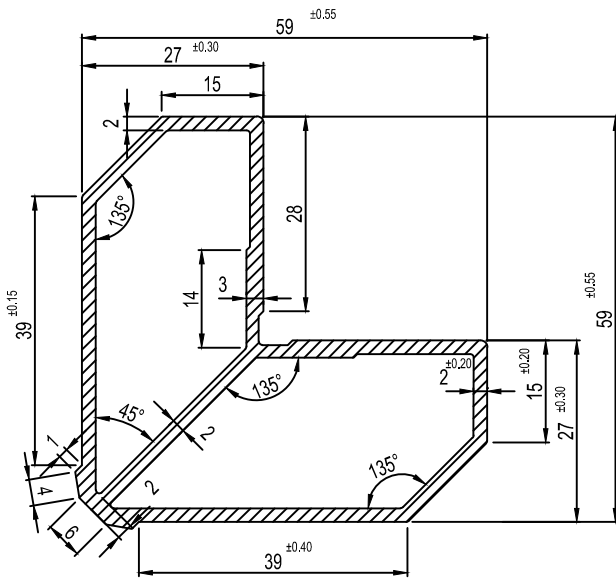
WEIGHT :- 1.258
AREA :- 466.061

DIE NO :- 2873



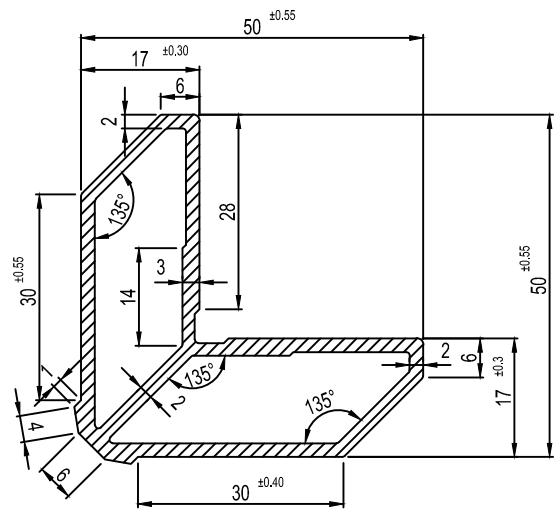
WEIGHT :- 1.247
AREA :- 462.182

DIE NO :- 2874



WEIGHT :- 1.362
AREA :- 505.046

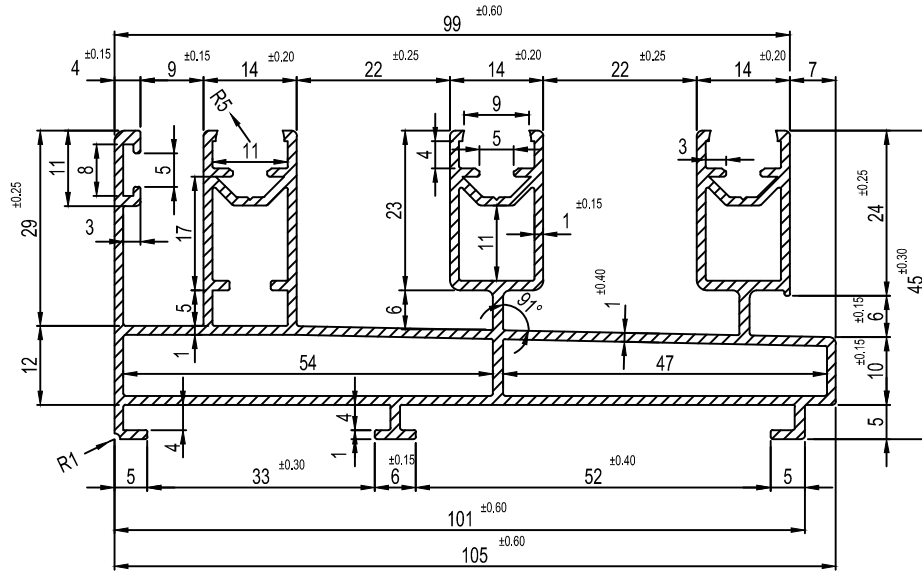
DIE NO :- 2883



WEIGHT :- 1.095
AREA :- 405.415

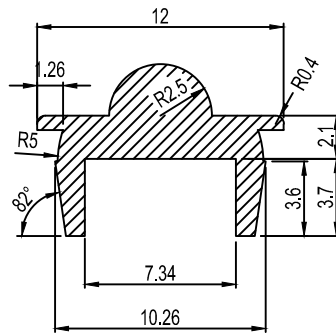
DIE NO :- 2884

27 x 66mm SERIES



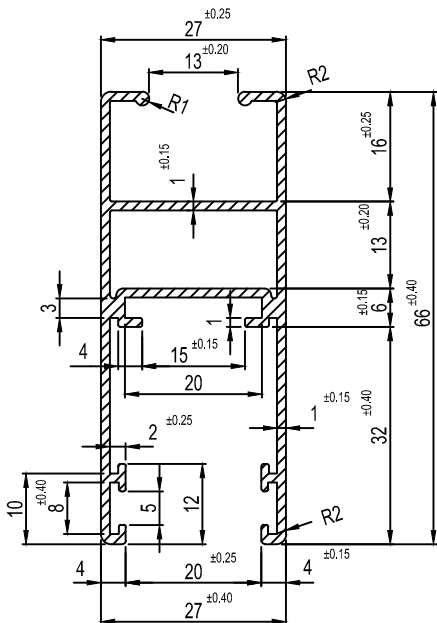
WEIGHT :- 1.934
 AREA :- 716.292

DIE NO :- 2839



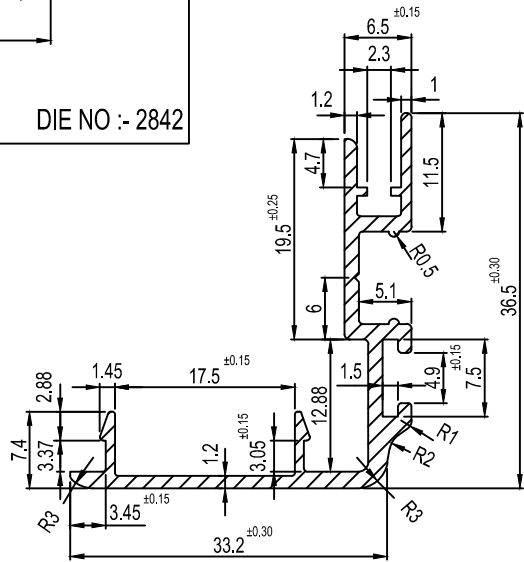
WEIGHT :- 0.110
 AREA :- 40.797

DIE NO :- 2842



WEIGHT :- 0.781
 AREA :- 289.719

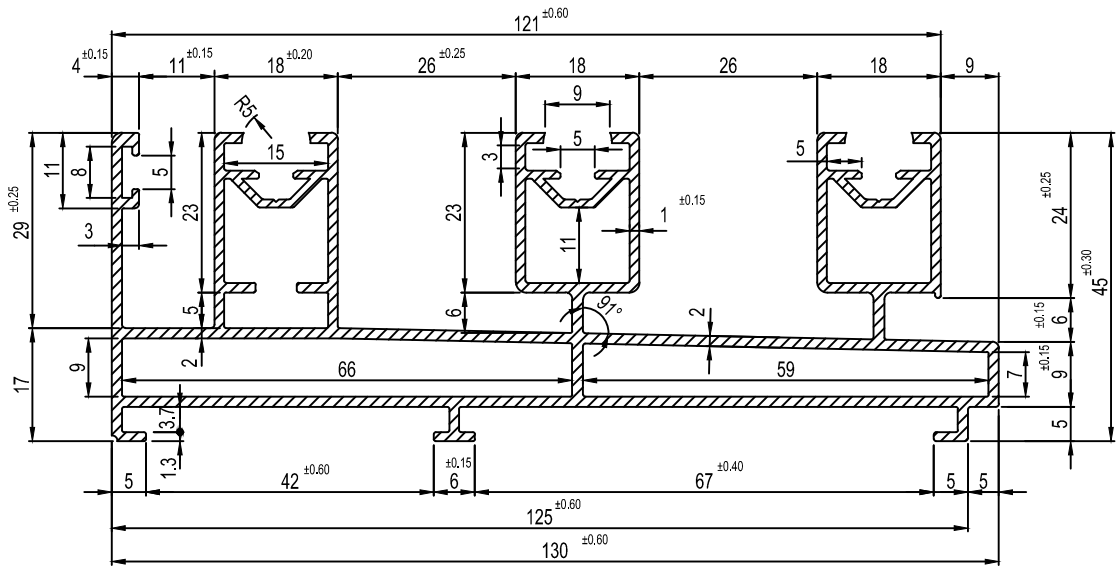
DIE NO :- 2840



WEIGHT :- 0.358
 AREA :- 132.844

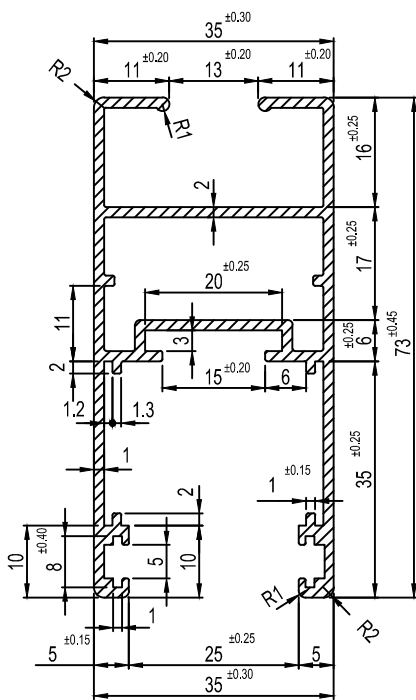
DIE NO :- 2841

35 x 73mm SERIES



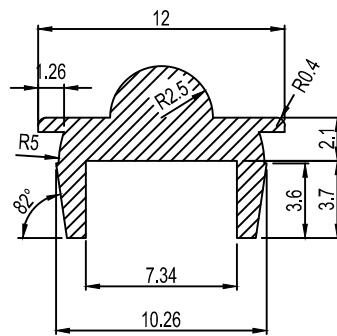
WEIGHT :- 0.998
 AREA :- 911.316

DIE NO :- 2843



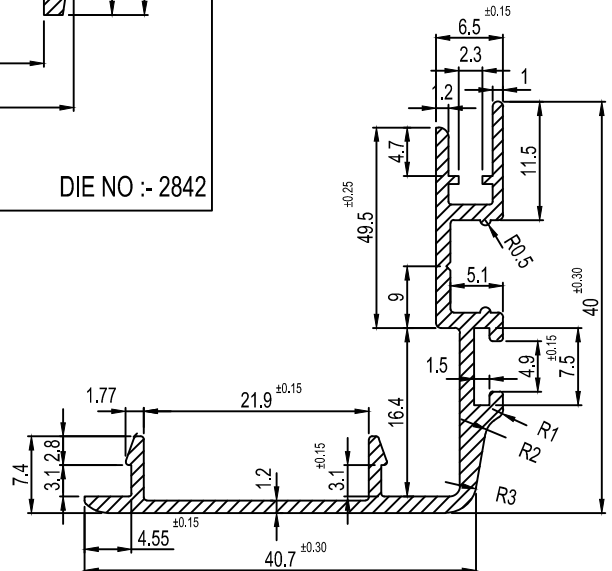
WEIGHT :- 1.103
 AREA :- 408.971

DIE NO :- 2844



WEIGHT :- 0.110
 AREA :- 40.797

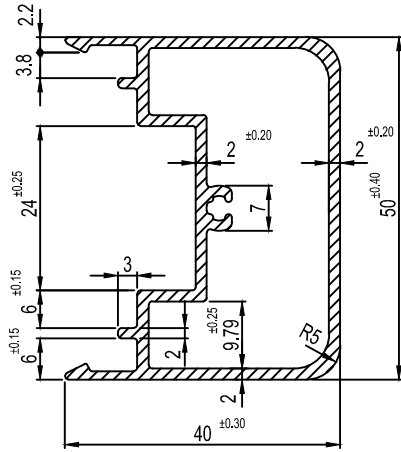
DIE NO :- 2842



WEIGHT :- 0.413
 AREA :- 153.423

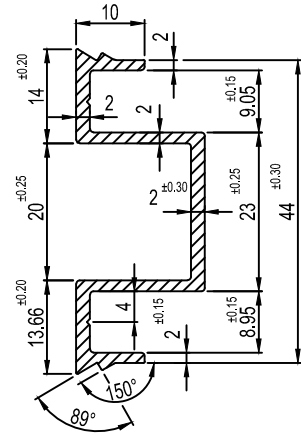
DIE NO :- 2845

PRESSURE PLATE



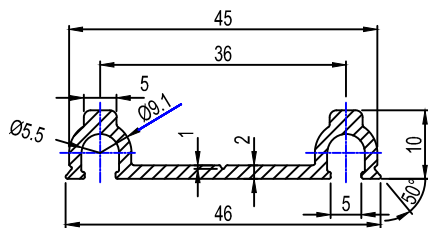
WEIGHT :- 0.878
AREA :- 325.116

DIE NO :- 2851



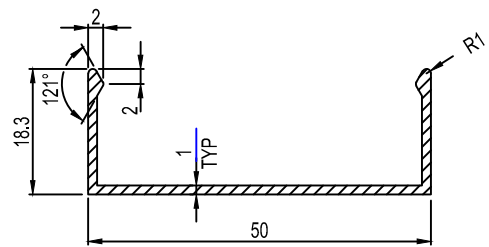
WEIGHT :- 0.467
AREA :- 173.412

DIE NO :- 2850



WEIGHT :- 0.382
AREA :- 141.370

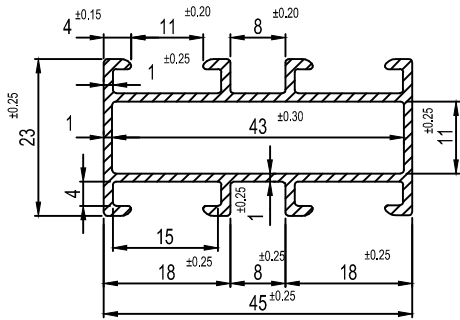
DIE NO :- 1353



WEIGHT :- 0.303
AREA :- 112.168

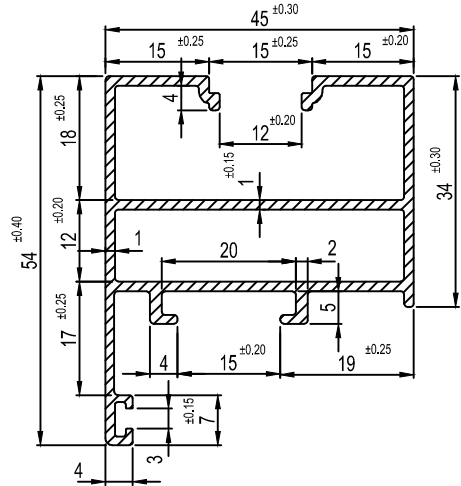
DIE NO :- 1354

OPEN WINDOW



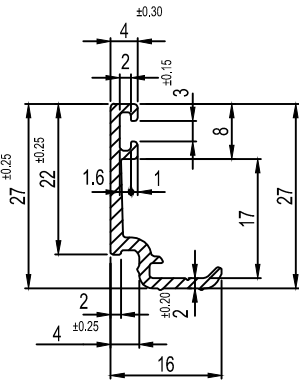
WEIGHT :- 0.577
AREA :- 214.212

DIE NO :- 2854



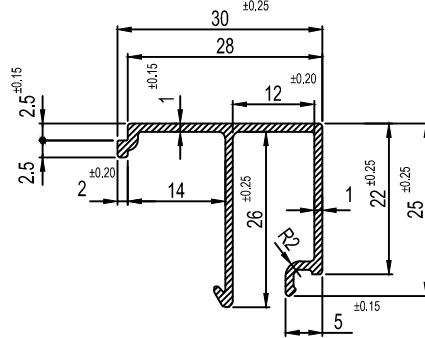
WEIGHT :- 0.865
AREA :- 320.886

DIE NO :- 2853



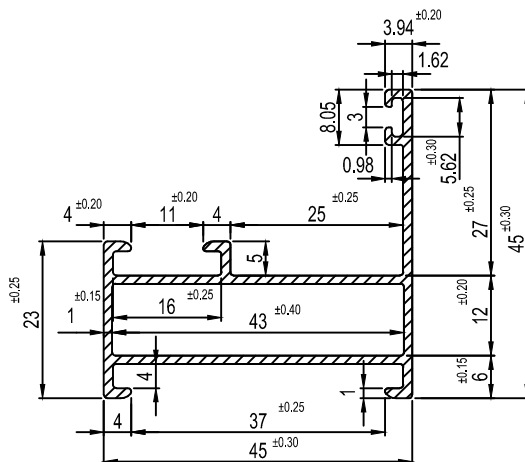
WEIGHT :- 0.204
AREA :- 75.491

DIE NO :- 2856



WEIGHT :- 0.289
AREA :- 106.896

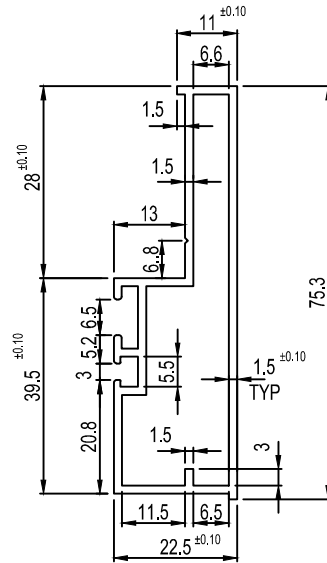
DIE NO :- 2855



WEIGHT :- 0.591
AREA :- 218.776

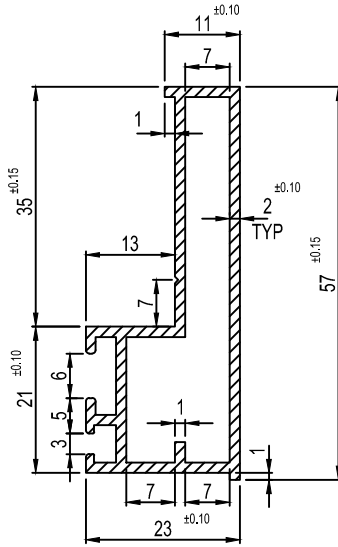
DIE NO :- 2852

SERIES A



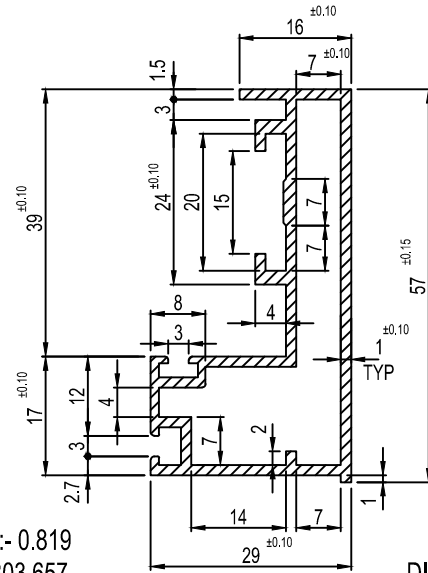
WEIGHT :- 0.843
 AREA :- 312.176

DIE NO :- 1393



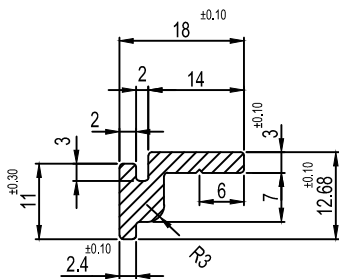
WEIGHT :- 0.678
 AREA :- 251.587

DIE NO :- 1394



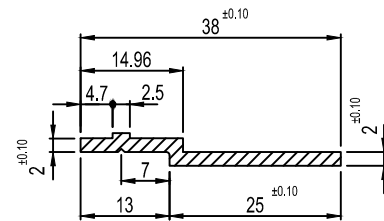
WEIGHT :- 0.819
 AREA :- 303.657

DIE NO :- 1395



WEIGHT :- 0.252
 AREA :- 93.826

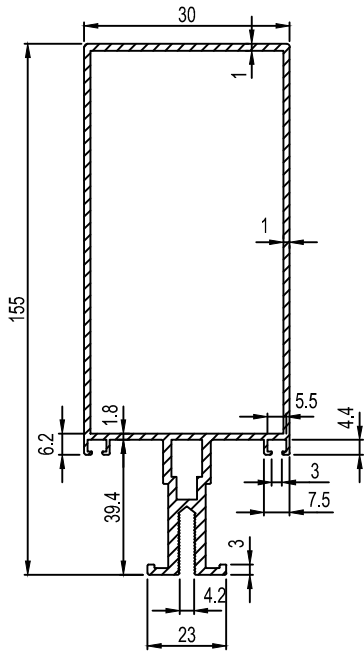
DIE NO :- 1396



WEIGHT :- 0.219
 AREA :- 81.604

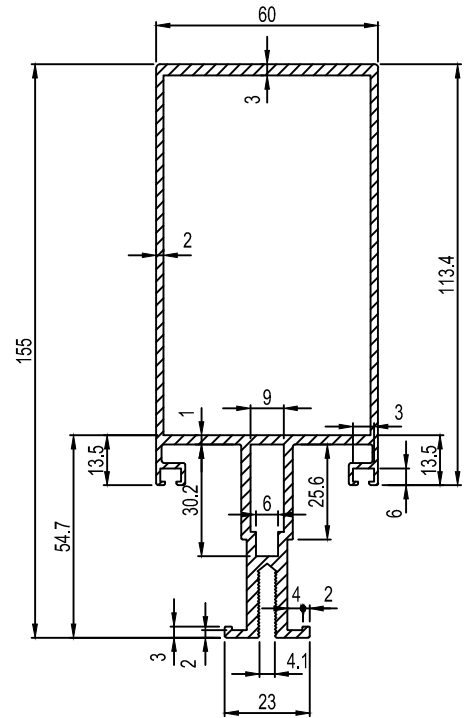
DIE NO :- 1397

SERIES A



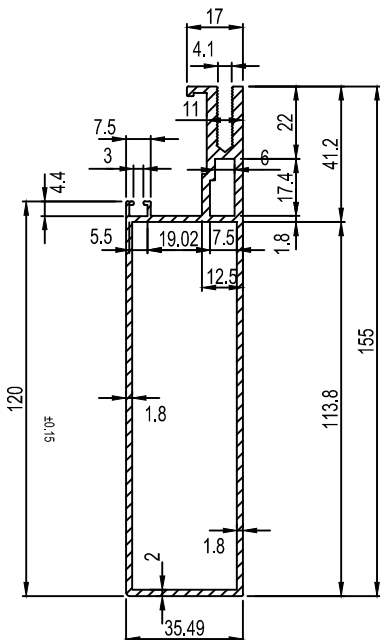
WEIGHT :- 2.501
AREA :- 926.772

DIE NO :- 1401



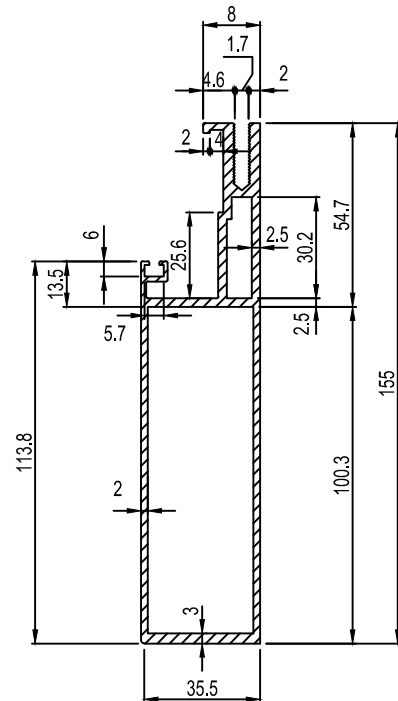
WEIGHT :- 3.027
AREA :- 1120.978

DIE NO :- 1400



WEIGHT :- 2.176
AREA :- 805.541

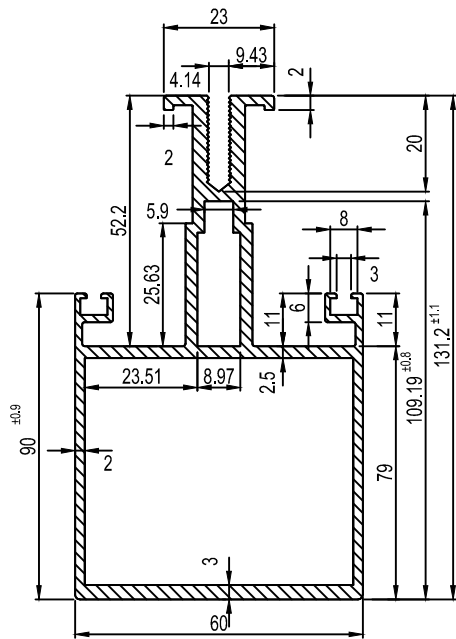
DIE NO :- 1398



WEIGHT :- 2.532
AREA :- 937.685

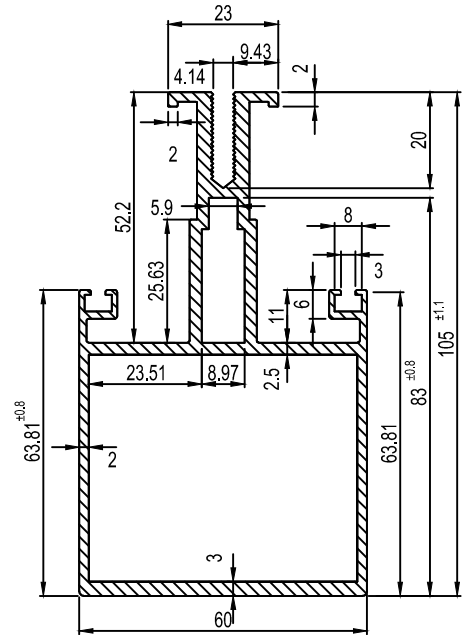
DIE NO :- 1399

SERIES A



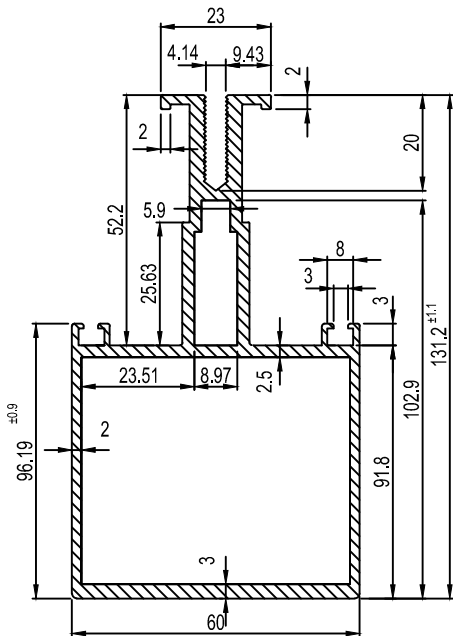
AREA :- 1078.78
WEIGHT :- 2.912

DIE NO :- 2821



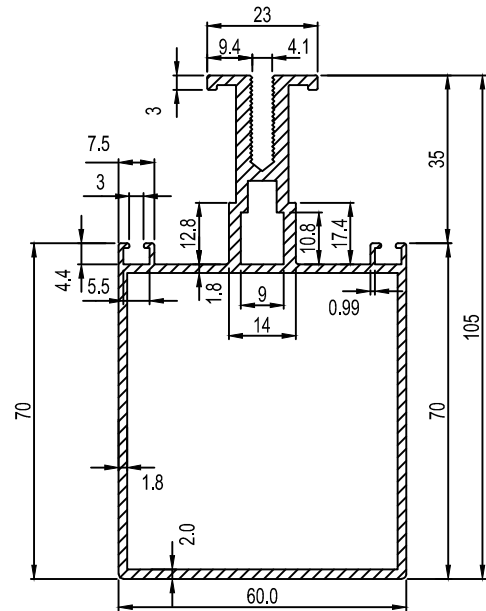
AREA :- 920.95
WEIGHT :- 2.486

DIE NO :- 2820



AREA :- 841.30
WEIGHT :- 2.271

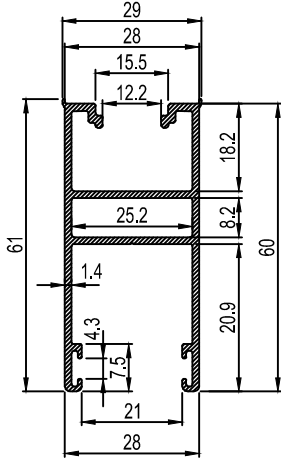
DIE NO :- 2822



WEIGHT :- 2.017
AREA :- 746.772

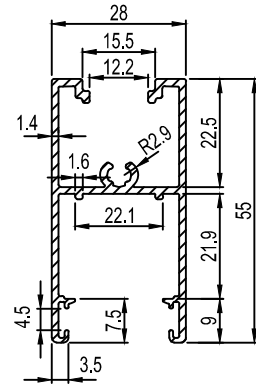
DIE NO :- 1392

28mm SERIES



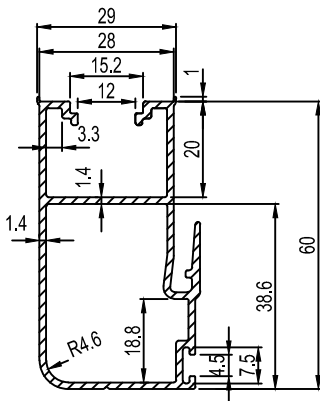
WEIGHT :- 0.770
AREA :- 285.42

DIE NO :- 2812



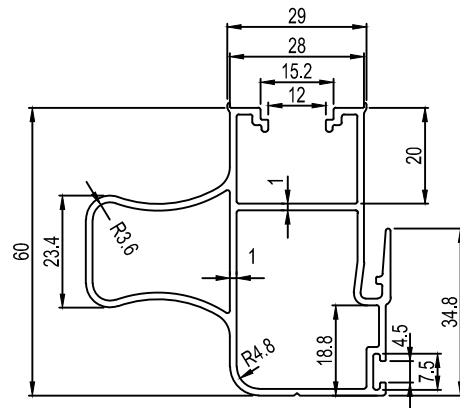
WEIGHT :- 0.689
AREA :- 255.43

DIE NO :- 2813



WEIGHT :- 0.835
AREA :- 309.22

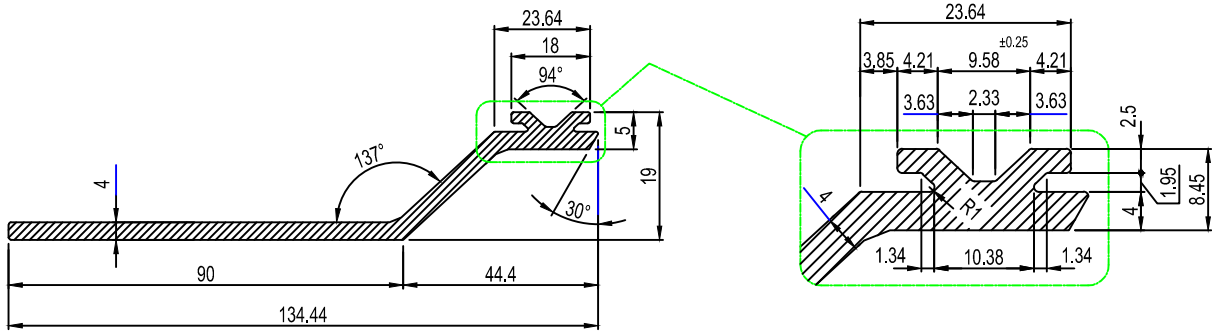
DIE NO :- 2814



WEIGHT :- 1.141
AREA :- 422.60

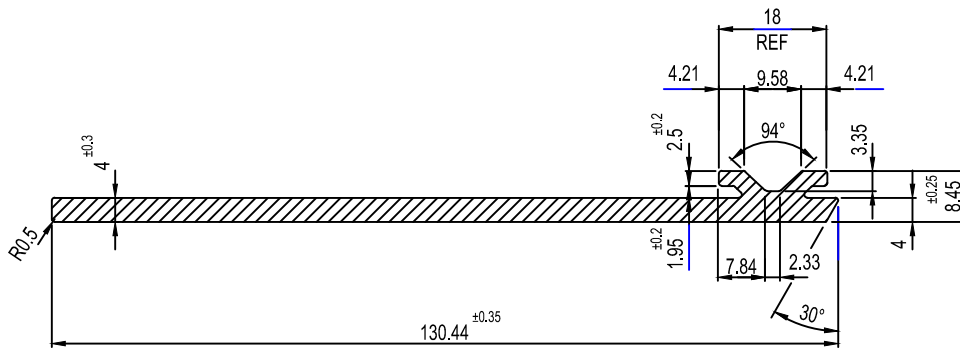
DIE NO :- 2815

BRACKET



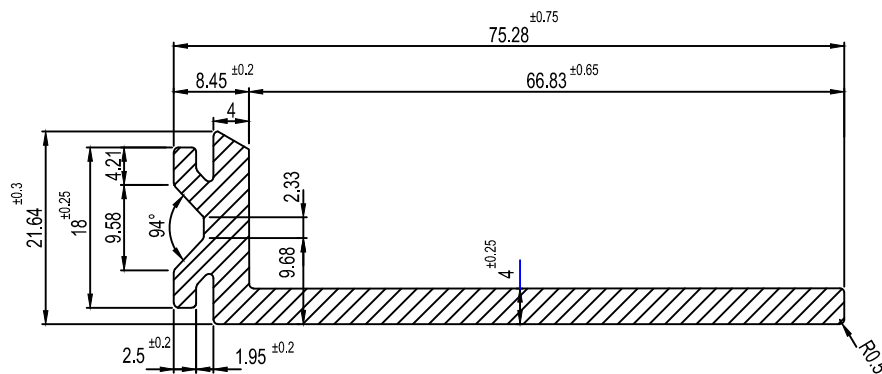
WEIGHT :- 1.660
AREA :- 614.821

DIE NO :- 1359



WEIGHT :- 1.524
AREA :- 564.89

DIE NO :- 1360

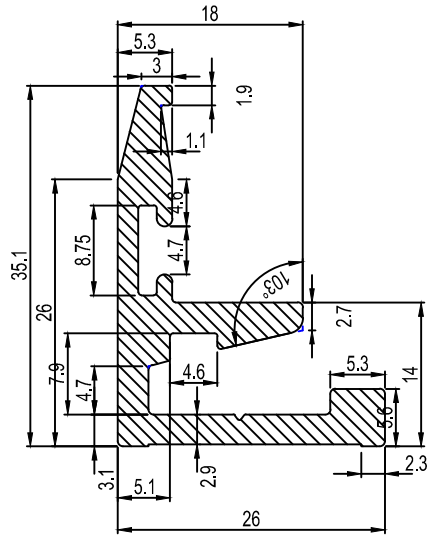


WEIGHT :- 1.072
AREA :- 396.982

DIE NO :- 1361

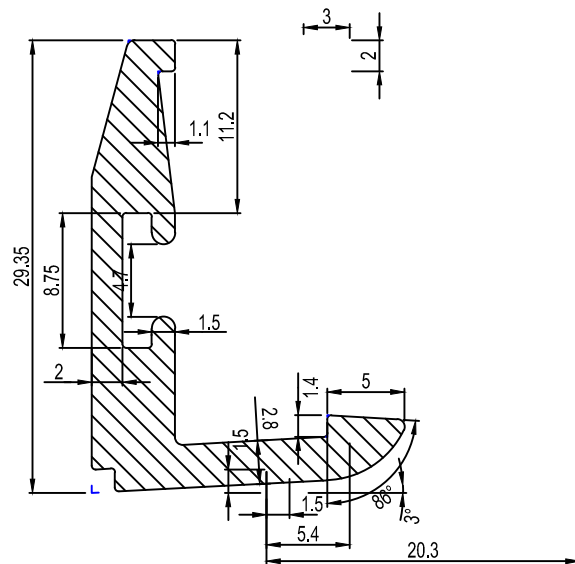
C:\Users\Vicky\Desktop\nitesh\Darshan.jpg

GLAZING SECTION



WEIGHT :- 0.682
AREA :- 252.39

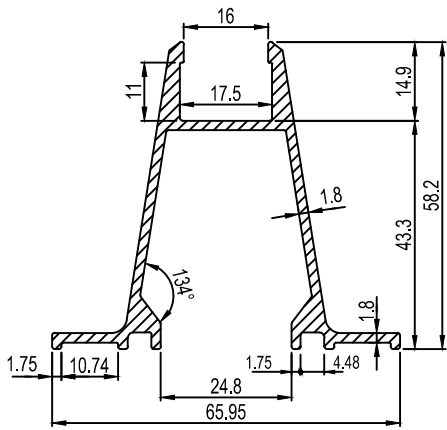
DIE NO :- 1203



WEIGHT :- 0.430
AREA :- 159.14

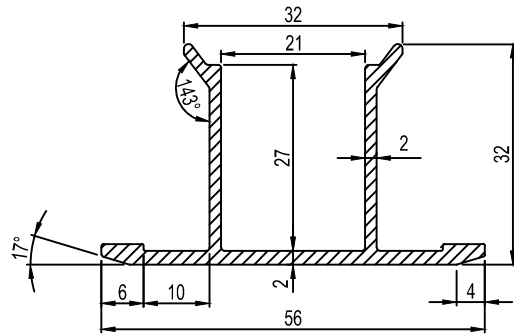
DIE NO :- 1204

MISC



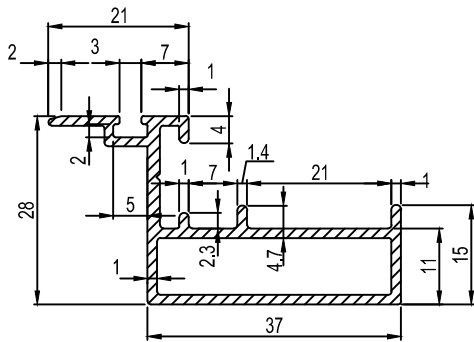
WEIGHT :- 0.790
AREA :- 292.91

DIE NO :- 1233



WEIGHT :- 0.624
AREA :- 230.97

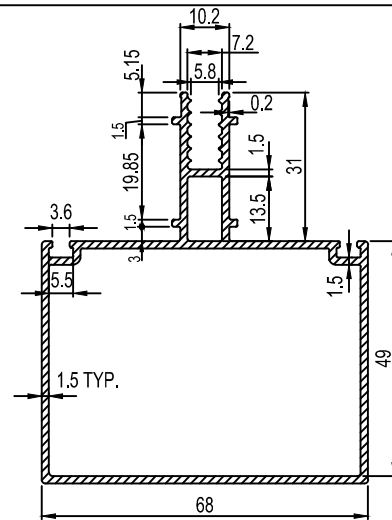
DIE NO :- 1234



ANGLE IS MISSING

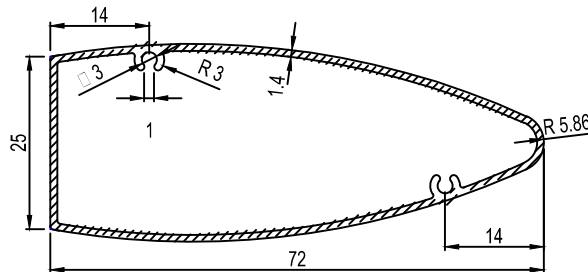
WEIGHT :- 0.545
AREA :- 202.39

DIE NO :- 1207



WEIGHT :- 1.283
AREA :- 475.61

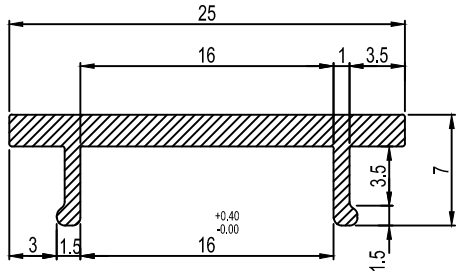
DIE NO :- 1208



WEIGHT :- 0.971
AREA :- 361.91

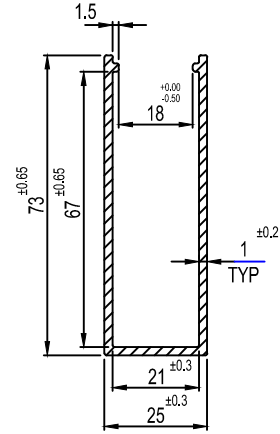
DIE NO :- 1209

SERIES C



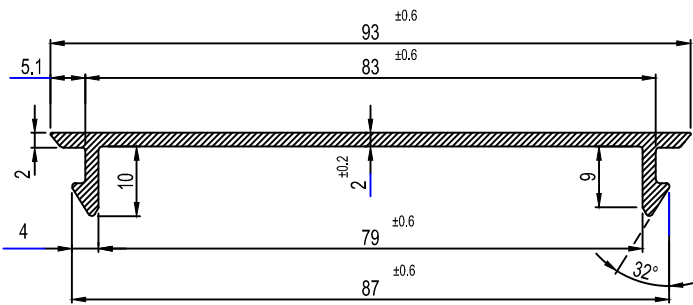
WEIGHT :- 0.163
AREA :- 60.850

DIE NO :- 1370



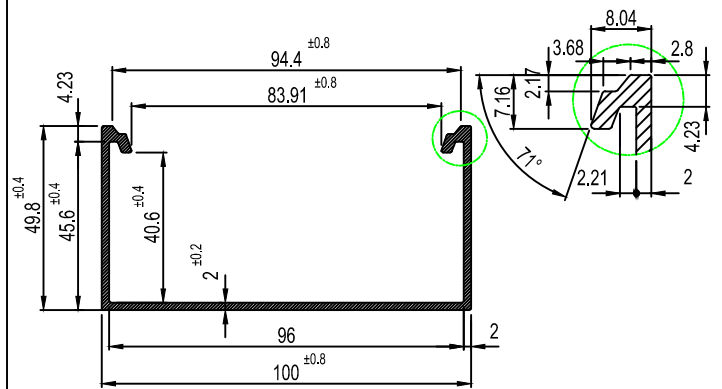
WEIGHT :- 0.917
AREA :- 339.647

DIE NO :- 1369



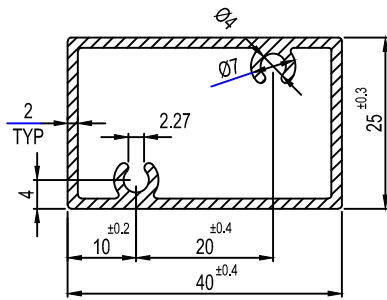
WEIGHT :- 0.627
AREA :- 232.124

DIE NO :- 1381



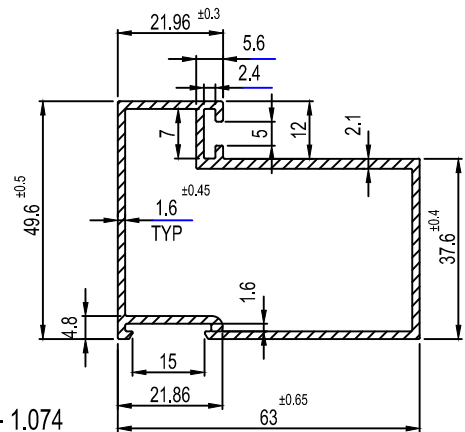
WEIGHT :- 1.175
AREA :- 435.154

DIE NO :- 1380



WEIGHT :- 0.597
AREA :- 220.911

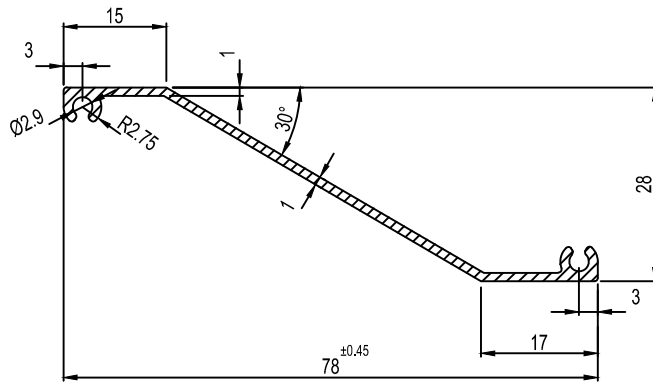
DIE NO :- 1365



WEIGHT :- 1.074
AREA :- 397.657

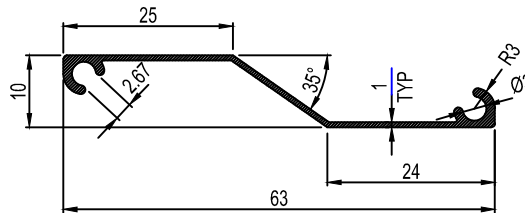
DIE NO :- 1367

LOUVERS



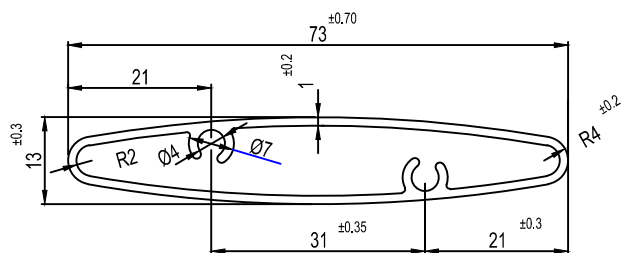
WEIGHT :- 0.350
 AREA :- 130.139

DIE NO :- 1373



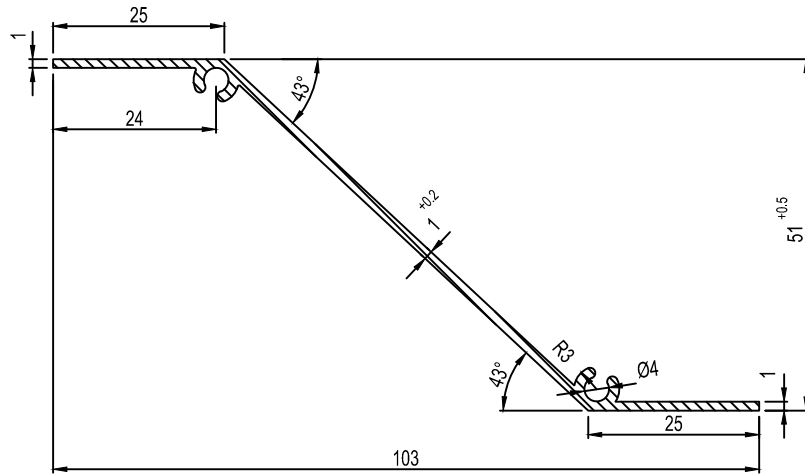
WEIGHT :- 0.195
 AREA :- 72.0572

DIE NO :- 1304



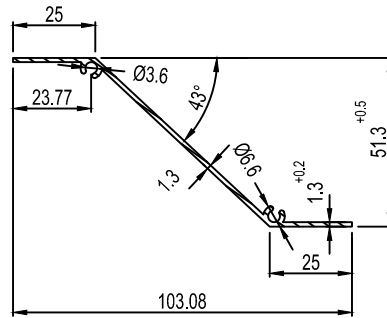
WEIGHT :- 0.580
 AREA :- 241.642

DIE NO :- 1338



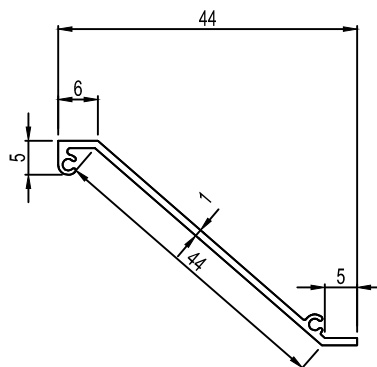
WEIGHT :- 0.472
 AREA :- 175.06

DIE NO :- 1449



WEIGHT :- 0.489
 AREA :- 181.182

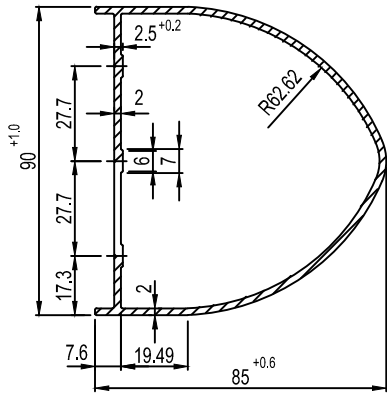
DIE NO :- 1149



AREA :- 366.287
 WEIGHT :- 0.990

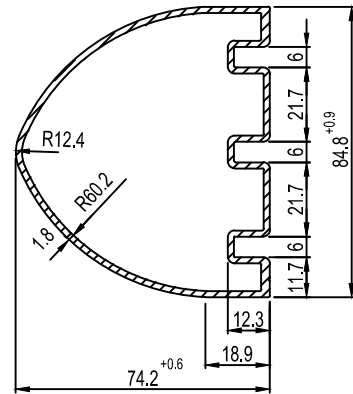
DIE NO :- 14--

SERIES D



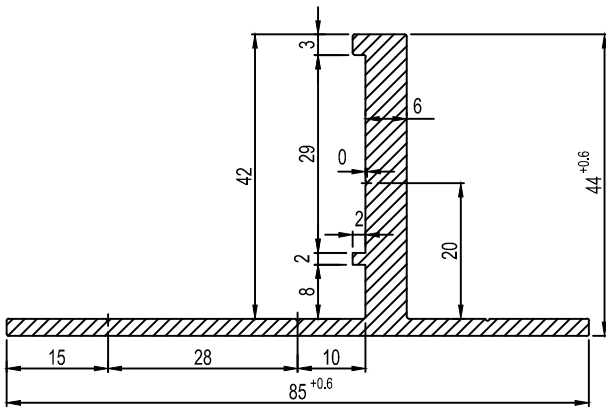
WEIGHT :- 1.615
AREA :- 598.201

DIE NO :- 1428



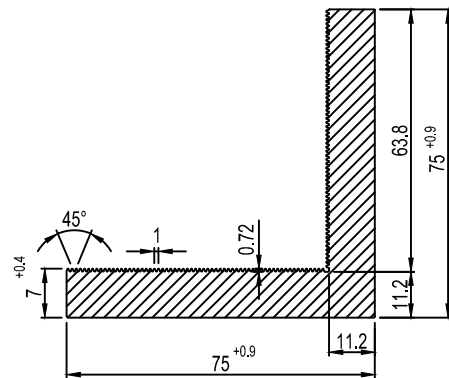
WEIGHT :- 1.600
AREA :- 592.420

DIE NO :- 1429



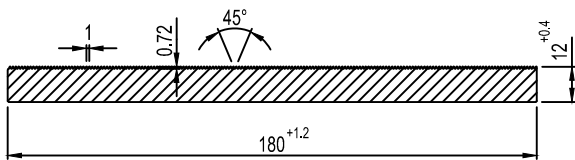
WEIGHT :- 1.268
AREA :- 469.845

DIE NO :- 1426



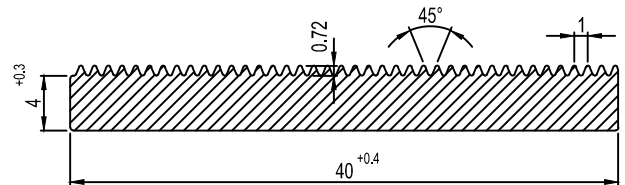
WEIGHT :- 4.313
AREA :- 1597.317

DIE NO :- 1433



WEIGHT :- 5.656
AREA :- 2095.102

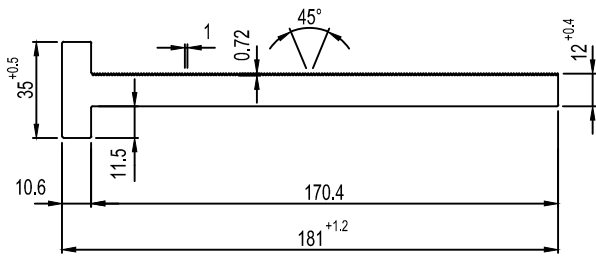
DIE NO :- 1432



WEIGHT :- 0.471
AREA :- 174.332

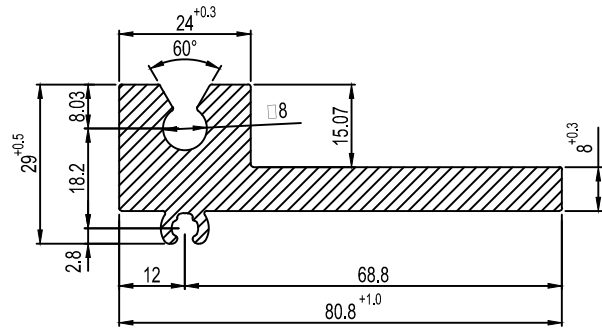
DIE NO :- 1425

SERIES D



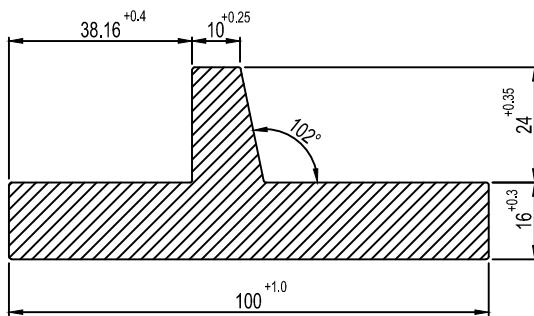
WEIGHT :- 6.357
AREA :- 2354.386

DIE NO :- 1431



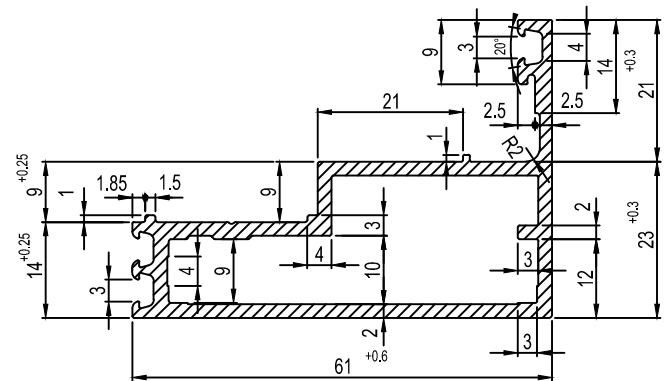
WEIGHT :- 2.580
AREA :- 955.925

DIE NO :- 1420



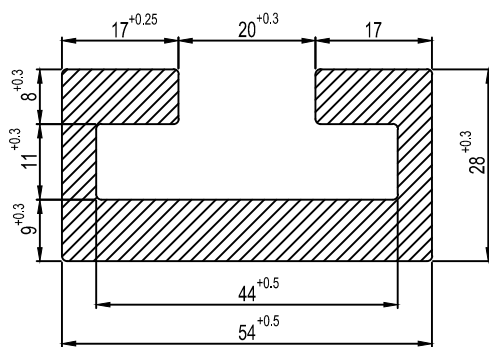
WEIGHT :- 5.132
AREA :- 1900.744

DIE NO :- 1434



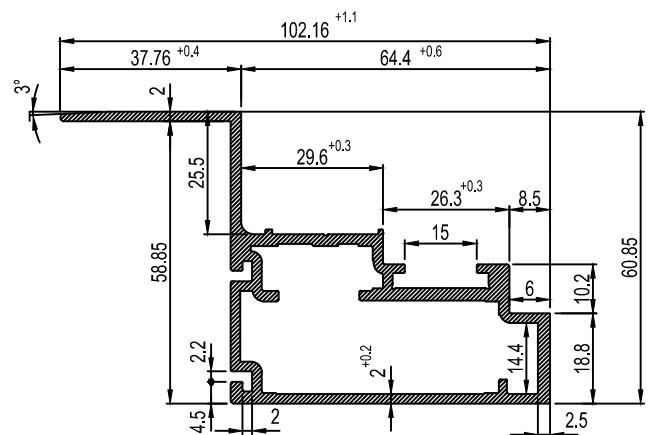
WEIGHT :- 1.067
AREA :- 395.260

DIE NO :- 1421



WEIGHT :- 2.341
AREA :- 867.519

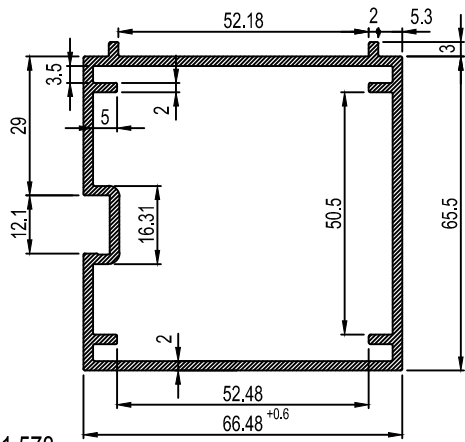
DIE NO :- 1427



WEIGHT :- 1.745
AREA :- 646.287

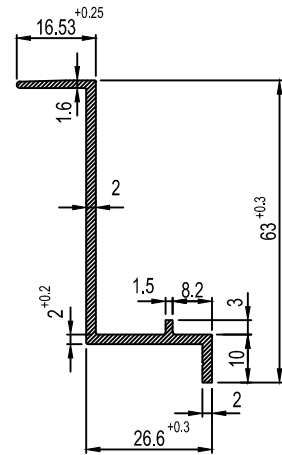
DIE NO :- 1422

SERIES D



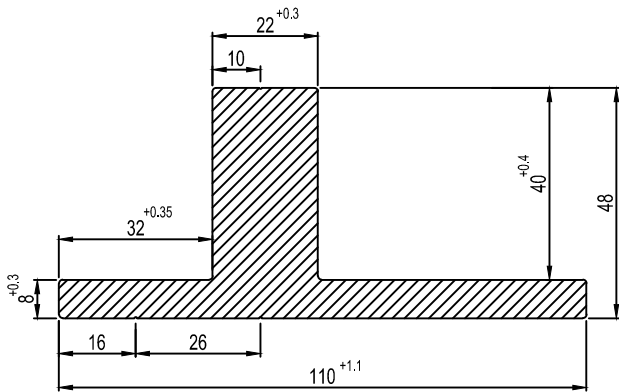
WEIGHT :- 1.578
AREA :- 584.271

DIE NO :- 1424



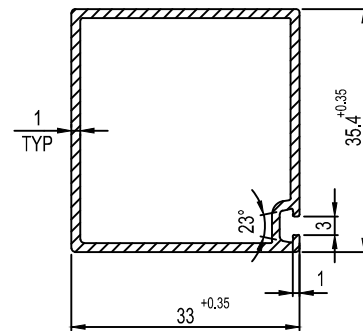
WEIGHT :- 0.540
AREA :- 200.600

DIE NO :- 1423



WEIGHT :- 4.750
AREA :- 1759.270

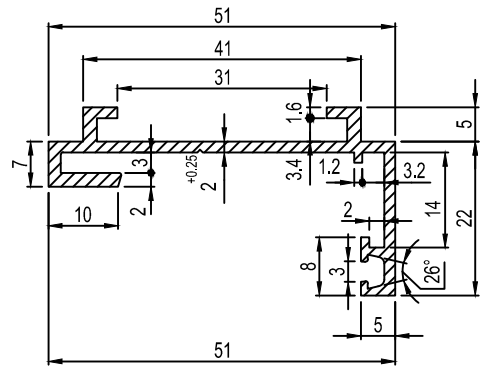
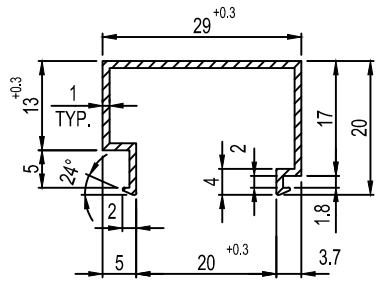
DIE NO :- 1436



WEIGHT :- 0.476
AREA :- 176.243

DIE NO :- 1430

SERIES E

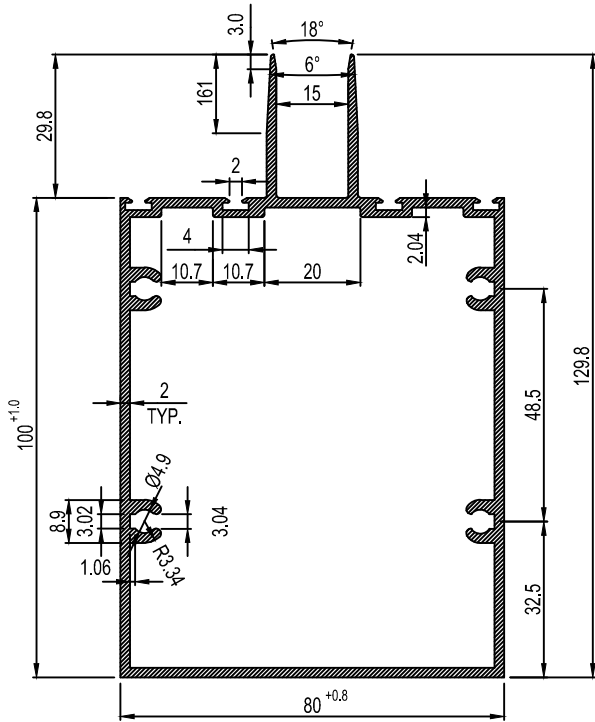


WEIGHT :- 0.198
AREA :- 73.598

DIE NO :- 1402

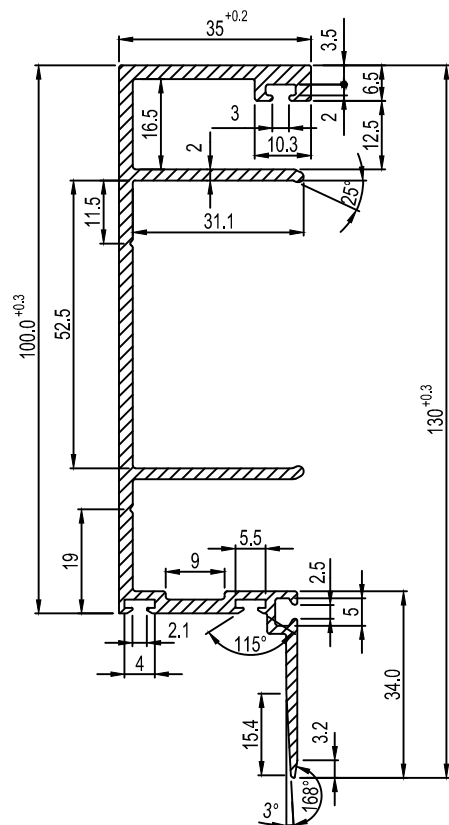
WEIGHT :- 0.497
AREA :- 184.138

DIE NO :- 1403



WEIGHT :- 2.543
AREA :- 941.94

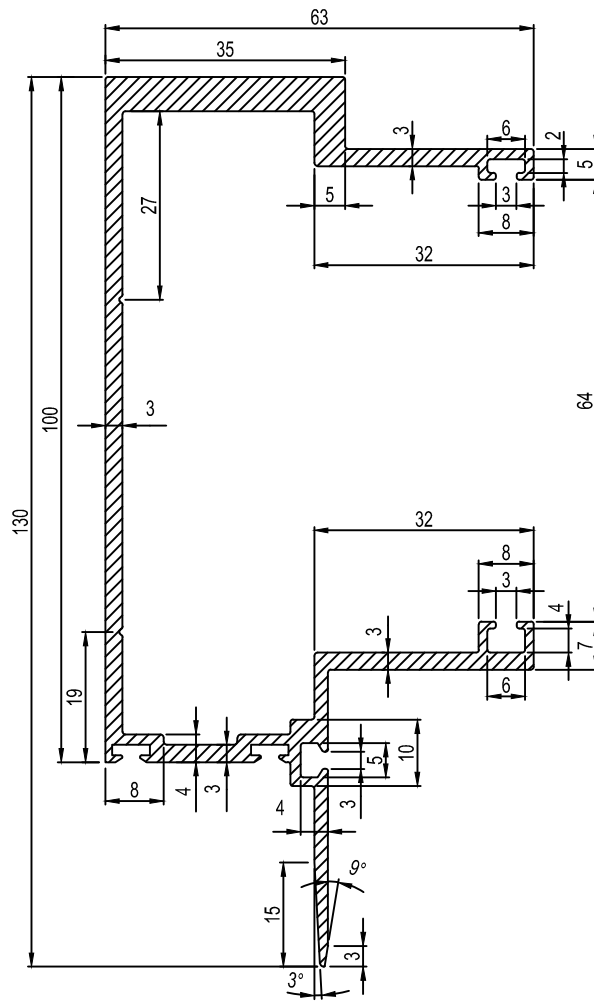
DIE NO :- 1409



WEIGHT :- 1.651
AREA :- 611.741

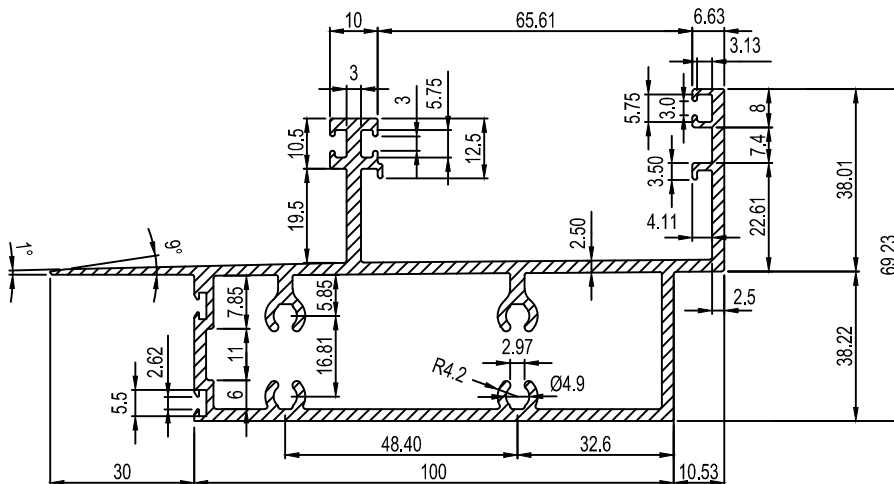
DIE NO :- 1405

SERIES E



WEIGHT :- 2.02
AREA :- 767.67

DIE NO :- 1404



WEIGHT :- 2.906
AREA :- 1076.610

DIE NO :- 1408